

wags

VALVE INSTALLATION GUIDE For Model No. WAGS7200-1

About the WAGS valve

WAGS stands for water and gas safety valve. The WAGS valve is designed to shut off the water supply (plus gas supply for gas-fired heaters) in the event of a water leak from a hot water heater, thus minimizing water damage and possible gas leakage. The valve can be installed on all styles of water heaters. The valve is fully mechanical and requires no external power supply.

The WAGS valve sits in a drip pan under the water tank and is activated when leaking water accumulates in the pan. Once activated, the valve shuts off the water and gas supply, indicated by a red pop-up tab. It is a single-use device and contains no user serviceable parts.

Gas-fired water heaters require the included wiring harness. For electric water heaters, the wiring harness is not needed and can be discarded.

Additional Materials Needed for Installation

- Water heater drip pan or other suitable device that will allow the water to rise to a level of 3/4". (See drip pan sizing chart below.)
- Two 3/4" male threaded x sweat adapters.
- Two lengths of copper (or other approved) tubing. Length will vary by installation - see step 9.
- Two to four (depending on installation) 90° copper (or other approved) elbows.

Materials Included in WAGS Box:

- WAGS valve
- Instruction sheet
- Required product sticker for water heater
- Warranty card
- Drip pan dam
- Condensation drain tube
- Gas water heater wire assembly kit includes:
 - Wire harness
 - Gas valve adapter
 - Self-adhering mounting pad
 - Wire tie

Valve Ratings:

- Maximum Temperature: 100° F
- Maximum Pressure: 125 PSI

Drip Pan Sizing Chart

| Water Heater Diameter | Minimum Drip Pan Size |
|-----------------------|-----------------------|
| Up to 17.75" | 20" pan |
| 18" through 23" | 24" pan |
| 24.5" | 26" pan |

CAUTION

The WAGS valve installation should only be performed by licensed and certified plumbers or qualified HVAC professionals knowledgeable of all applicable national, state and local plumbing, gas and electrical codes.

To avoid a malfunction, serious injury and/or property damage, follow the installation steps as described.

Do not place fingers or foreign objects in WAGS valve openings.

This single-use device cannot be reset or repaired and should be discarded once it has been activated.

INSTALLATION STEPS

To install the WAGS valve on an existing water heater begin at step 1. To install the WAGS valve on a new water heater installation begin at step 6. See special additional steps for gas heater installation following step 14.

INSTALLATION ON AN EXISTING WATER HEATER

1. Turn off supply water and gas/electricity to the water heater.
2. Extinguish all flames in the work area, including pilot lights. Turn thermostats on any boilers or furnaces to the lowest setting.
3. Drain the water heater completely by connecting a garden hose to the drain valve. (Turn on any hot water faucet in the house to break the vacuum.)
4. Disconnect the hot and cold water lines from the water heater. If there are no union connections, cut the pipes at least 3 inches above the top of the water heater.
5. For gas water heaters, disconnect the vent pipe and the flexible gas line at the gas valve on the water heater. A slight odor from residual gas is normal.

SAFETY PRECAUTION

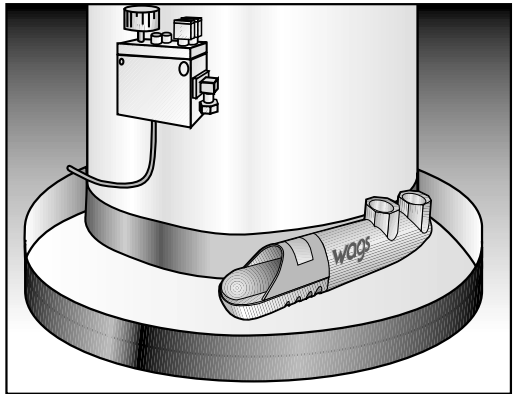
Ensure that the gas shut-off valve is not leaking by submerging the end of the gas line in a container of water. If no bubbles are present go to step 6. If bubbles are present, reconnect the gas line and call the local gas supplier or utility for assistance.

INSTALLATION ON A NEW WATER HEATER (and continuation of instructions for an existing water heater)

6. Place the drip pan under the water heater. Make sure the floor is clean, stable and level. If a suitable floor drain is available, orient the pan's drain port toward the floor drain.

NOTE: Check local plumbing codes for drain line requirements. If a drain line is required and before completing the installation refer to the "Additional Installation Steps When Drain Line Required" section after step 14.

7. Place the water heater in the drip pan so that the WAGS valve has enough room to sit flush on the bottom of the pan.



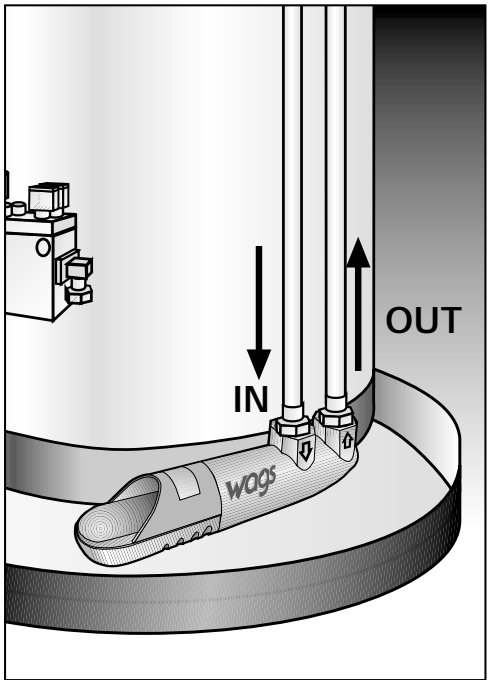
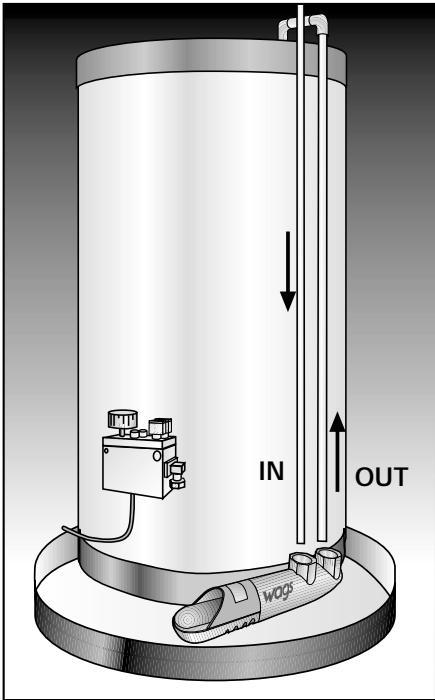
8. Place the WAGS valve flat in the pan, resting it up against the water heater. Align the WAGS valve "OUT" port underneath the water heater's cold water inlet. Position the valve away from burner doors and drain/relief valves to ensure proper serviceability and tank operation. Point the plastic portion of the valve toward the front of the water heater for easy visibility of the pop-up water-leak indicator tab.

9. Measure and cut a length of copper tubing (or other approved tubing) so you can connect the end of the cold water supply line to the "IN" port of the WAGS valve. Measure and cut a length of copper tubing (or other approved tubing) so you can connect the "OUT" port of the WAGS valve to the "COLD IN" of the water heater.

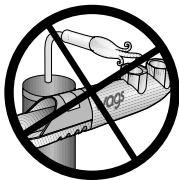
10. Solder 3/4" male threaded x sweat adapters onto the tubing away from the WAGS valve. Allow tubing and adapters to cool.

12. Place the valve back so that it sits flat on the drip pan bottom. Make sure the ends of the copper tubing (or other approved tubing) align with the supply line and the water heater's "COLD IN" port respectively.

13. Finish the piping by attaching the cold water supply line to the end of the tubing going into the "IN" port of the WAGS valve and by attaching the end of the tubing coming from the "OUT" port of the WAGS valve to the water heater's cold water inlet.



CAUTION: Do not solder or heat the 3/4" threaded ports on the WAGS valve. This could damage the valve, resulting in improper valve operation, serious injury or property damage.



11. Screw the two lengths of tubing into the valve ports until snug, keeping the valve interior free of excessive tape or sealant.

NOTE: A vacuum breaker and/or expansion tank should be installed on the cold water supply line tubing. Check local plumbing codes.

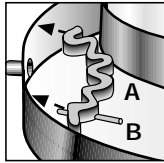
14. Place sticker with the valve pictured onto the front of the water heater where it can be easily viewed. Make sure the tank surface is clean and dry to assure proper adhesion.



ADDITIONAL INSTALLATION STEPS WHEN DRAIN LINE REQUIRED

To activate the valve, leaking water must rise to 3/4" minimum in the drip pan (or other collection device). Local plumbing codes may require the installation of a drip pan with a drain line and/or the ability to drain normal standing water (usually condensate). Install the supplied dam (A) and condensate drain tube (B) around the drain line opening which will allow water to rise to at least 3/4", allowing any excess water to flow over the dam into the drain line and any normal standing condensate to flow through the drain tube into the drain line.

1. Peel off the drain dam's adhesive tape backing and stick condensate drain tube (B) to the bottom so tube ends extend beyond both sides of the dam. Attach both pieces so that they form a dam around the drip pan's drain line opening. Press firmly to the bottom and sides of the pan to ensure a water tight seal.



This completes the WAGS valve installation on electric heaters. Install the water heater per manufacturer's instructions.

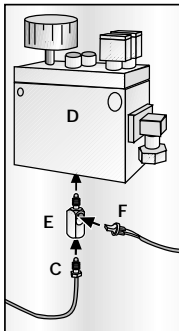
ADDITIONAL INSTALLATION FOR GAS WATER HEATERS

1. Disconnect thermocouple (C) from the water heater's gas valve (D).

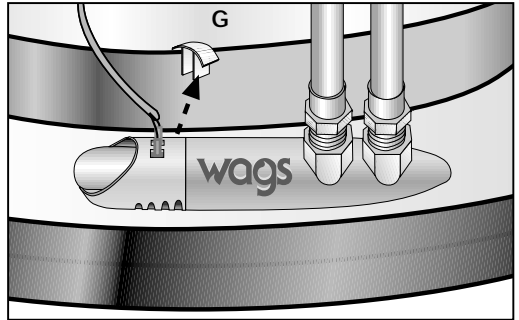
CAUTION: Do not use teflon tape or other sealant on any of these connections.

2. Screw provided gas valve adapter (E) into gas valve (D).

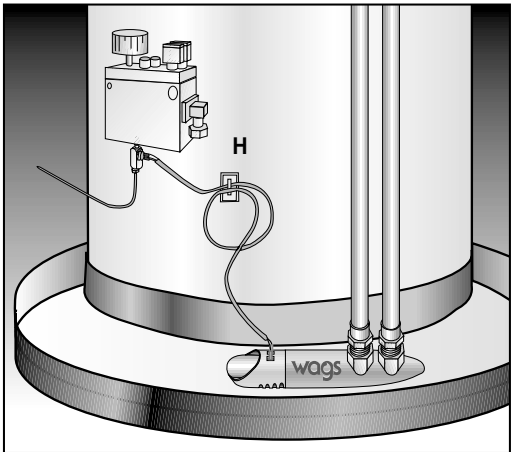
3. Re-insert thermocouple (C) into female thread of gas valve adapter (E) and screw nut two full turns only. Insert round white plug of wiring harness (F) into adapter hole. Tighten thermocouple nut (C) securely.



Remove and discard the fuse cover (G) from the WAGS valve terminals and insert the wiring harness's blue connectors. Press firmly.



5. The plastic self-adhering mounting pad (H) can be placed on the tank and used to tie up (with the wire tie supplied) any extra length of wire harness. For proper adhesion, the tank surface must be clean and dry.



NOTE TO HOMEOWNER

To ensure proper operation, keep the water intake slots on the bottom of the plastic section of the WAGS valve free and clear. Inspect periodically.

Do it once. Do it right. **Taco**®

Taco Incorporated
1160 Cranston Street
Cranston, RI 02920

Printed in U.S.A.
Patent Number 6024116
©2001 Taco Incorporated
Effective: February 1, 2001
Plant ID#: 001-1015

1-877-GET-WAGS
(1-877-438-9247)
www.wagsvalve.com