

Introducing Actual

Replacement Value.



Pro-Fit™ replacement parts are designed and built to fit Bell & Gossett* and Armstrong** pumps – with one notable difference: they're from Taco. So extra care goes in to every part. After all, Taco has a reputation for quality and durability to uphold. Next time you need parts, ask for Pro-Fit™. Outside of the improvement, you'll never notice the difference.

Taco® HIGH QUALITY REPLACEMENT PARTS
PRO-FIT™

Fits Bell & Gossett* And Armstrong* Pumps
* Both not affiliated with Taco, Inc.

* A trademark of ITT Industries, Inc. ** A trademark of S.A. Armstrong Limited.
Taco Inc., 1160 Cranston Street, Cranston, RI 02920 www.taco-hvac.com

Motors



Application

High quality Pro-Fit™ motors are made in the USA and designed to replace all Bell & Gossett* and Armstrong** fractional HP motors up to 3/4HP. Permanently lubricated, ball bearing construction make Pro-Fit™ replacement motors

maintenance-free. All motors are fitted with rigid, steel mounting cradles with resilient motor mounts to facilitate easy alignment of motor and pump shaft and ensure quiet, vibration-free operation. Note: 3/4 HP motors are C-Face mount.

Features

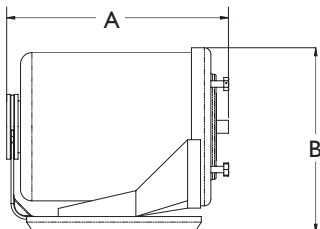
- Made in USA
- Ball Bearing Construction, Permanently Lubricated, Maintenance Free
- Quiet Operation
- ODP-Open Drip Proof design
- Automatic Thermal Overload
- Finned End Rings for improved cooling
- Class B Insulation
- Steel Motor Housing
- Corrosion Protection Coating
- Carbon Steel Shaft
- 1725 rpm, 4 pole

Part # Cross Reference

Pro-Fit™ Part #	Bell & Gossett Pump #	B&G Part #	Armstrong Pump #	Armstrong Part #	HP
115/60/1					
MOT-A-100	100 (75-100)	111034	S-25	805316-010 CCW	1/12
MOT-B-100	1-1/2", 2", HV, PR	111036 111031	S-35, H-32, H-41	817025-001 CCW	1/6
MOT-B-101	HV-NEW	111061	N/A	817025-005 CCW	1/6
MOT-C-100	2-1/2", LD3	111040	S-45	817025-007 CCW	1/4
MOT-C-101	HD3	111042	S-46	817025-013 CCW	1/3
MOT-D-100	60-11	169035	H-51	816141-001 CW	1/4
MOT-D-101	60-2	169038	H-52	816141-002 CW	1/3
115/230/60/1					
MOT-D-102	60-13, PD-35	111044	H-53, S-55	811757-001 CW	1/2
MOT-D-104	60-14, PD-37	111047	H-54, S-57	811757-002 CW	3/4
208/230/460/60/3					
MOT-D-103	60-13, PD-35	111046	H-53, S-55	831011-083 811757-020	1/2
MOT-D-105	60-14, PD-37	111049-	H-54, S-57	831012-083 811757-024	3/4

Dimensions

Pro-Fit™ Part #	HP	Voltage	Rotation	A	B
MOT-A-100	1/12	115/60/1	CCW	9	7
MOT-B-100	1/6	115/60/1	CCW	9	7-1/2
MOT-B-101	1/6	115/60/1	CCW	9	7
MOT-C-100	1/4	115/60/1	CCW	9	7-1/2
MOT-C-101	1/3	115/60/1	CCW	9	7-1/2
MOT-D-100	1/4	115/60/1	CW	9	7-1/2
MOT-D-101	1/3	115/60/1	CW	9	7-1/2
MOT-D-102	1/2	115/230/60/1	CW	10-1/2	7-1/2
MOT-D-103	1/2	208/230/460/60/3	-	9	7-1/2
MOT-D-104	3/4	115/230/60/1	CW	11	5-7/8
MOT-D-105	3/4	208/230/460/60/3	-	10	5-7/8



Bearing Assemblies & Bearing Cartridge kit



Application

Heavy-duty Pro-Fit™ bearing assemblies and bearing cartridge kits are designed to replace all Bell & Gossett* and Armstrong** seal/bearing assemblies. Rugged, die cast aluminum construction ensures proper alignment with motor shaft for longer bearing life. Universal bearing assemblies are bronze fitted with S/S faceplates for use on open or closed systems, reducing multiple SKU's.

Features

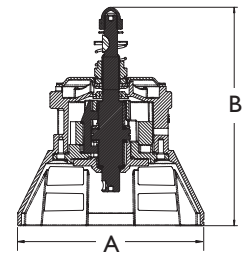
- Rugged, Precision machined, Die Cast Aluminum Bracket
- Powder Coated durable finish to resist corrosion
- Carbon Steel shaft, integral copper sleeve to resist corrosion
- 305 S/S Face Plate
- Durable Nitrile Lip-Seal
- Brass Impeller nut
- Universal Bearing Cartridge & Seal Kit fits all Pump models
- Dimpled shaft for positive coupler alignment
- Heavy Duty , bronze sleeve bearings
- Die-cast aluminum bearing supports

Part # Cross Reference

Pro-Fit™ Part #	Bell & Gossett Pump #	Bell & Gossett Part #	Armstrong Pump #	Armstrong Part #
BRG-A-100	100 (75-150)	118844 189034	S-25	816019-002
BRG-A-200 w/Impeller	100 (75-150)	189134	S-25	810019-001
BRG-B-100	HV & 2" (Old)	189100 189101 189102 189103 189162 189163	S-35, H-32	816549-091
BRG-B-101	HV & 2" (New)	189120 189121 189122 189129 189131 189165	N/A	816023-001
BRG-C-100	2-1/2", LD3, HD3, PR	189105 189106 118447	S-45, S-46, H-41	816027-002
BRG-D-100	PD-35, PD-37, 60-11, 60-2, 60-13, 60-14	186863 186864	S-55, S-57, H-51, H-52, H-53, H-54	816032-000

Dimensions

Pro-Fit™ Part #	A	B
BRG-A-100	5-1/4	6
BRG-B-100	6	6
BRG-B-101	5-1/4	6
BRG-C-100	6	6
BRG-D-100	6-3/4	7

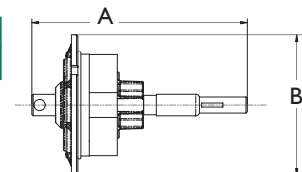


Replacement Bearing Cartridge Kit

Pro-Fit™ Part #	Bell & Gossett Pump #	Bell & Gossett Part #	Armstrong Pump #	Armstrong Part #
CAR-ABCD-100	N/A	N/A	All Models	816999-041

Dimensions

Pro-Fit™ Part #	A	B
CAR-ABCD-100	5	3-1/4



Impellers



Application

Durable, Noryl[®] Pro-Fit[™] impellers replace all Bell & Gossett^{*} and Armstrong^{**} pumps through 3/4HP models. Designed to match original performance curves and reduce wholesaler parts inventories over 50%. One impeller can be used for closed or open systems, cast iron or bronze pumps.

One impeller can be used for closed or open systems, cast iron or bronze pumps.

Features

- Durable, composite Noryl[®] construction
- Replaces all steel, brass, & plastic impellers
- Integrally molded, brass key insert for added strength
- Designed for open or closed system applications
- Matches Bell & Gossett^{*} and Armstrong^{**} original performance curves

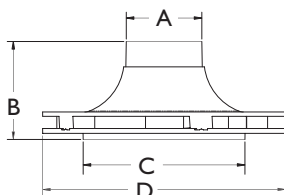
Part # Cross Reference

Pro-Fit [™] Part #	Bell & Gossett Pump #	B&G Part #	Armstrong Pump #	Armstrong Part #	Type
IMP-A-100 2.75" Diam.	100 (75-150)	118840 ST	S-25	812961-011	ST
		118431 BR		812961-041	BR
		189132 NF		812961-111	NFI
IMP-B-100 3.38" Diam.	—	—	S-35	816322-011	ST
		—		816322-041	BR
		—		816322-111	NFI
IMP-C-100 4.25" Diam.	PR	118668 ST	H-41	816556-011	ST
		118436 BR		816556-041	BR
		189128 NF		816556-111	NFI
IMP-C-101 3.88" Diam.	2", HV LD3	118676 ST	S-45	816305-028	ST
		118440 BR		816305-058	BR
		—		816305-328	NFI
IMP-C-102 4.25" Diam.	HD3	118675 ST	S-46	816305-025	ST
		118439 BR		816305-055	BR
		—		816305-325	NFI
IMP-D-100 4.75" Diam.	PD-35	118630 ST	S-55	816304-021	ST
		118627 BR		816304-051	BR
		—		816304-321	NFI
IMP-D-101 5.25" Diam.	PD-37, 60-14	118629 ST	S-57, H-54	816304-017	ST
		118626 BR		816304-047	BR
		—		816304-317	NFI
IMP-D-102 5.00" Diam.	60-11	186441 ST	H-51	816302-019	ST
		186359 BR		816302-049	BR
		186360 NF		816302-319	NFI
IMP-D-103 5.25" Diam.	60-2	186441 ST	H-52	816302-017	ST
		186359 BR		816302-047	BR
		—		816302-317	NFI
IMP-D-104 5.25" Diam.	60-13	P61010 ST	H-53	816303-017	ST
		186368 BR		816303-047	BR
		—		816303-317	NFI

Type: ST = Steel, BR = Brass, NF/NFI = Plastic, ProFit = Noryl

Dimensions

Pro-Fit [™] Part #	A	B	C	D
IMP-A-100	1-1/2	1-3/4	1-1/4	2-3/4
IMP-B-100	1-1/2	1-3/4	1-1/4	3-1/2
IMP-C-100	1-1/2	2	3-1/2	4-1/4
IMP-C-101	2	2	3-1/2	3-3/4
IMP-C-102	2	2	3-1/2	4-1/4
IMP-D-100	2	2	3-1/2	4-3/4
IMP-D-101	2	2	3-1/2	5-1/4
IMP-D-102	1-1/2	2	3-1/2	5
IMP-D-103	1-1/2	2	3-1/2	5-1/4
IMP-D-104	1-1/2	2	3-1/2	5-1/4



Couplers



Application

Pro-Fit[™] heavy-duty spring couplers eliminate multiple eyelets, one coupler fits all pumps with 1/2" motor shafts. Reinforced eyelets are designed for improved performance and extended life.

Features

- Rugged, cast zinc with steel reinforced eyelets to increase life of coupler
- Heavy-duty spring
- Fits all 1/2" motor shafts
- Standard Woods 3-J for all 5/8" motor shafts (optional 1/2" inserts included)

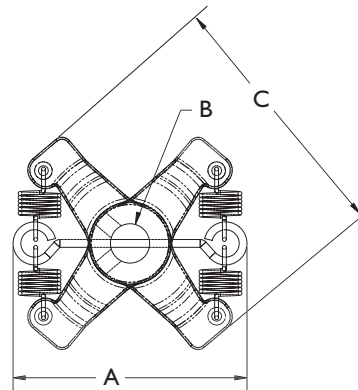
Part # Cross Reference

Pro-Fit [™] Part #	Bell & Gossett Pump #	Bell & Gossett Part #	Armstrong Pump #	Armstrong Part #
COU-ABC-100 1/2 X 1/2 Spring Coupler	100 (75-150) 1-1/2", 2" HV, PR	118705	S-25, S-35, H-32, H-41	806026-001
		189110		810120-003
		118712		810120-006
COU-D-100 1/2 X 5/8 1/2 X 1/2 Woods 3-J	60-2 60-11 PD-37, 60-14 PD-35, 60-13	118723	S-45, S-46	806168-001
		118473	H-51	810120-003
		118709	H-52	807436-000
			S-57, H-54	806137-000
			S-55, H-53	810120-006

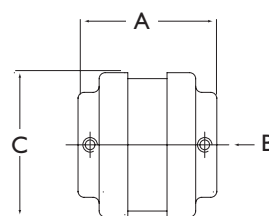
Dimensions

Pro-Fit [™] Part #	A	B	C
COU-ABC-100	3	1/2 X 1/2	3-1/4
COU-D-100	2	1/2 X 5/8	2-1/6

COU-ABC-100



COU-D-100



Seal Kit



Application
One universal seal kit fits all models with 1/2" pump shaft. Ceramic & carbon

surfaces designed for extended wear and long life.

Features

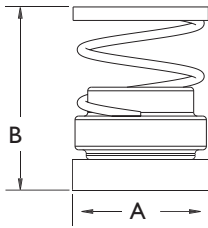
- Ceramic & Carbon facing surfaces
- 1/8 Stainless Steel Spring, holder & retainer
- Buna N Cup & Bellows
- Universal Seal Kit fits all pump models

Part # Cross Reference

Pro-Fit™ Part #	Bell & Gossett Pump #	Bell & Gossett Part #	Armstrong Pump #	Armstrong Part #
SLK-ABCD-100	All 1/2" Seal Pumps	118681	All 1/2" Seal Pumps	816706-001 816706-021

Dimensions

Pro-Fit™ Part #	A	B
SLK-ABCD-100	1	1-1/4



Body Gaskets



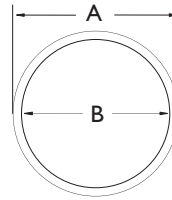
Application
Four body gaskets replace all models up to 3/4 HP.

Part # Cross Reference

Pro-Fit™ Part #	Bell & Gossett Pump #	B&G Part #	Armstrong Pump #	Armstrong Part #
GSK-A-100	100(75-100)	P04080	S-25	104442-000
GSK-B-100	1-1/2", 2", HV HV-NEW	P04890	S-35, H-32	106049-000
GSK-C-100	2-1/2", LD3, HD3, PR	P05800	S-45, S-46, H-41	106050-000
GSK-D100	PD-35, PD-37, 60-11, 60-2, 60-13, 60-14	P57410	S-55, S-57, H-51 H-52, H-53, H-54	106158-000

Dimensions

Pro-Fit™ Part #	A	B
GSK-A-100	3	2-3/4
GSK-B-100	3-3/4	3-1/2
GSK-C-100	4-3/4	4-1/4
GSK-D100	5-1/2	5-1/4



Resilient Motor Mounts



Application
Direct replacements for all Bell & Gossett* motors 1/12 to 3/4HP.

Part # Cross Reference

Pro-Fit™ Part #	Bell & Gossett Pump #	Bell & Gossett Part #	Armstrong Pump #	Armstrong Part #
MNT-AB-100	1/12, 1/6 HP	118223	—	810120-000
MNT-CD-100	1/4-3/4, OLD 1/6 HP	118227, 118228	—	810120-001

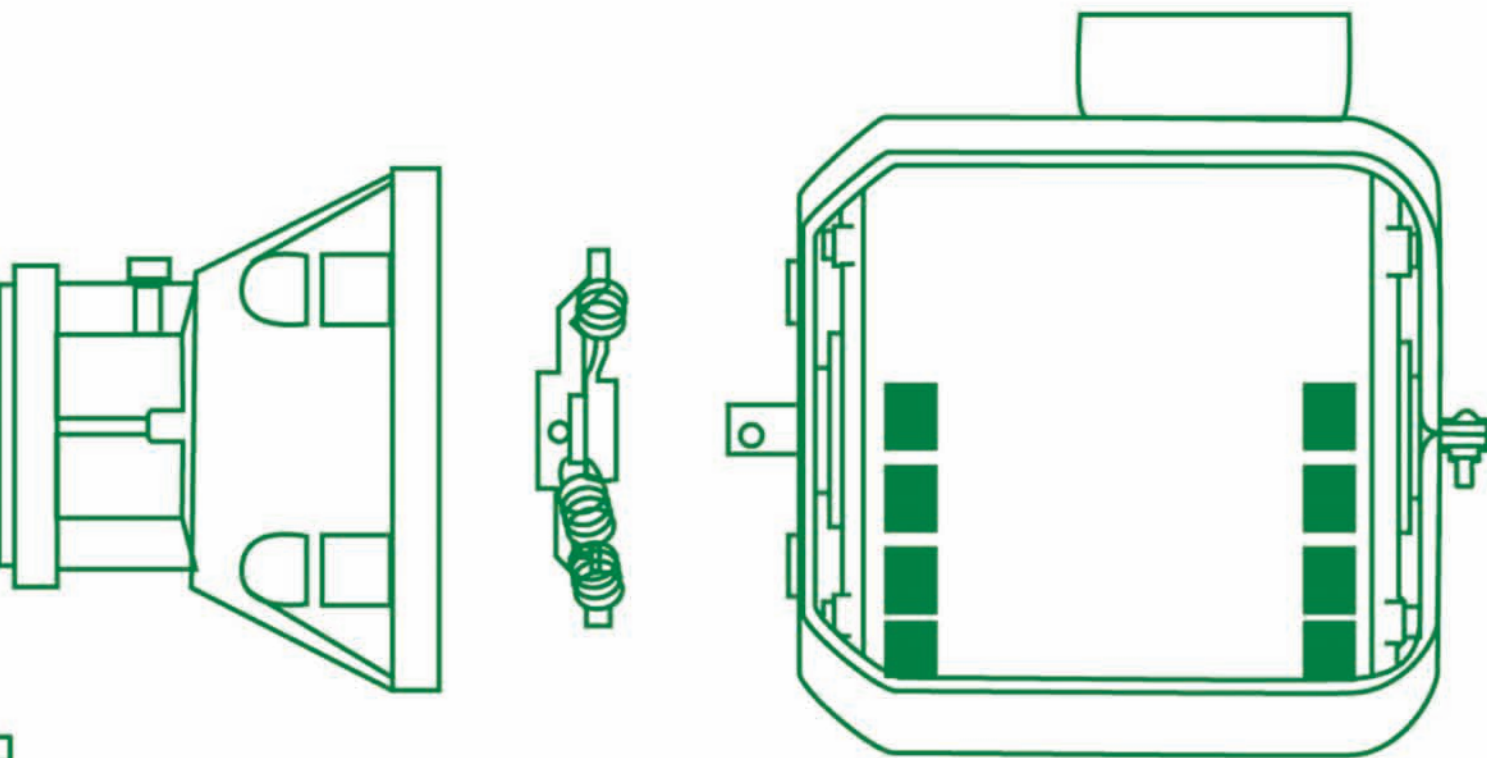
Oil Tube



Application
Pro-Fit™ pump and motor lubricant is light-weight, detergent-free suitable for all pump models.

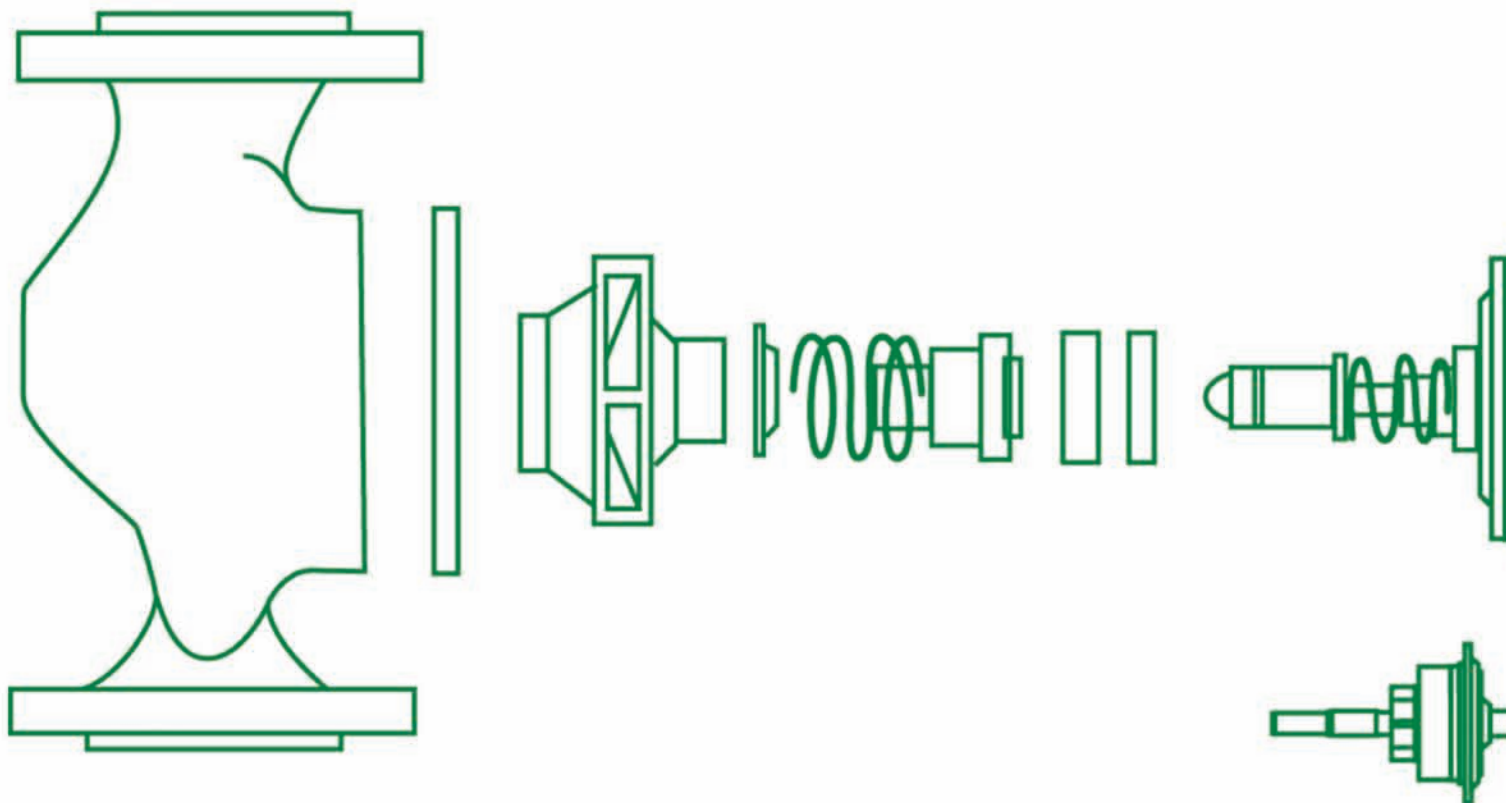
Part # Cross Reference

Pro-Fit™ Part #	Bell & Gossett Pump #	Bell & Gossett Part #	Armstrong Pump #	Armstrong Part #
OIL-ABCD-100	All Models	L23401	All Models	116621-00



Taco[®] HIGH QUALITY REPLACEMENT PARTS
PRO-FIT[™]

Fits Bell & Gossett * And Armstrong * Pumps
* Both not affiliated with Taco, Inc.



HYDRONIC COMPONENTS & SYSTEMS

Do it once.
Do it right. 