

SUPERSEDES: July 30, 2014

EFFECTIVE: December 1, 2014



WARNING: FAILURE TO COMPLY WITH THESE INSTRUCTIONS REGARDING THIS PRODUCT CAN RESULT IN SERIOUS PERSONAL INJURY OR DEATH AND/OR SEVERE PROPERTY DAMAGE.

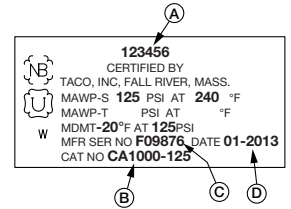
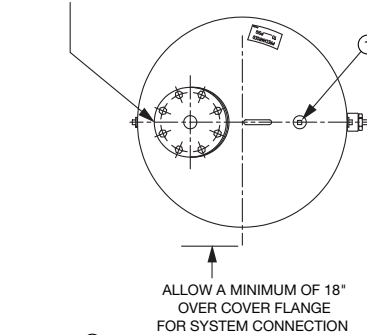
- Note location of the system connection, charging valve, and the drain plug and labels on the tank. Refer to Diagram 1 for location of these tank fittings.
- Carefully remove the shipping plug in the system connection coupling located at the center of the cover flange. Pause before completely removing to allow any trapped air to escape. There should not be much, if any, air pressure under the protective cover.

WARNING: DO NOT REMOVE THE PIPE PLUGS LOCATED ON THE SIDE AND BOTTOM OF THE TANK (TANK DRAINS). THESE PLUGS SHOULD NEVER BE REMOVED UNLESS NECESSARY AND THEN ONLY AFTER THE AIR PRESSURE IN THE TANK HAS BEEN BLEDED OFF TO ZERO GAUGE PRESSURE. BEFORE BLEEDING OFF ANY OF THE AIR CHARGE, ALWAYS REMOVE AND DISCONNECT THE TANK FROM THE SYSTEM.

- Prior to connecting this tank to the hydronic system the pre-charge pressure within the tank should be confirmed and if necessary adjusted to equal the minimum system pressure at the tank location. This measurement should be taken at the air valve located on the top of the tank. The tank was shipped from the factory with an initial pre-charge of 12 psi at 68 degrees. This may vary with changes in ambient temperature. Use Diagram 2 (below) - Air Charge Check Chart to correct the value read on the pressure gauge to adjust for changes in the ambient temperature. The fill pressure of the system should be indicated on the schedule file or within the job specifications. If not provided in either of these locations consult the design engineer for the proper fill pressure values prior to installation of this tank. Installation of the tank prior to adjusting the pre-charge can result in incorrect pre-charge readings.
- The pipe connection to the system may now be made. The piping requirements for captive air tanks are different from those of plain steel expansion tanks. Note the Captive Air Tank Piping Diagrams. Piping and air elimination devices should be arranged so that air will not be trapped in the tank, above the tank or in the nozzle. Pitch the piping connection up away from the tank and use automatic air vents where necessary. Note the piping diagram.
- Locate the CA tank connection as close as possible to the suction side of the pump. This ensures that the pressures realized from the pump head will be additive in the system. A combination shut-off and drain valve should be located in the connection piping to provide for tank isolation during the initial hydrostatic test.

- STANDARD PRODUCT WITH 304 SS COVER MAY BE USED WITH POTABLE WATER. (CONSULT FACTORY FOR POTABLE WATER APPLICATIONS)**
- MAY BE INSTALLED IN HORIZONTAL OR VERTICAL ORIENTATION.**
- Models certified to NSF/ANSI 61-G are required to be installed on the cold water side of the hot water heater.

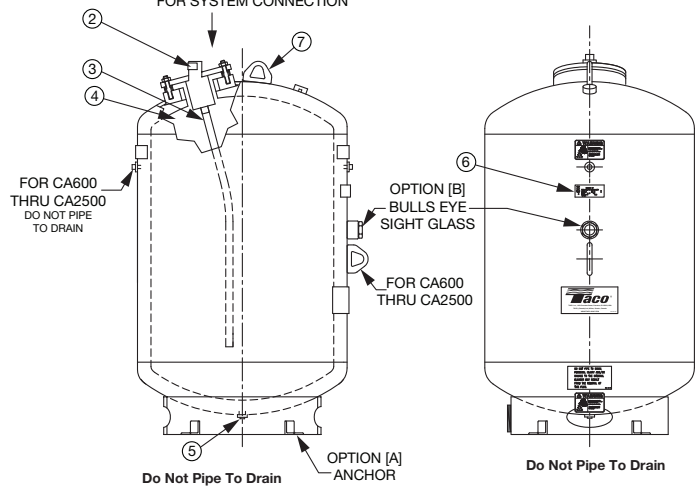
BEAD LOCATED ON OD OF NOZZLE OF BAG MUST BE CENTERED BETWEEN THESE TWO BOLT HOLES TO ENSURE PROPER BAG INTERNAL ALIGNMENT.



15 NAMEPLATE

INFORMATION REQUIRED FOR FACTORY ASSISTANCE.

- A - NATIONAL BOARD NUMBER
- B - MODEL NUMBER
- C - SERIAL NUMBER
- D - DATE OF MANUFACTURE




- 1 - CHARGING VALVE CLOSURE (Schrader) 1/2" NPT
- 2 - System Connection Label
- 3 - Hose Assembly
- 4 - Bag
- 5 - Sealed 1/2" NPT at factory - **Do Not Pipe To Drain** - Do Not Remove Plug - Removing plug voids tank Warranty. Severe injury or death may result if a factory installed plug is removed without first isolating the tank from the system and reducing the internal pre-charge pressure to zero psi at the air valve.

- 6 - ASME Name Plate
- 7 - Lug(s)

DIAGRAM 1 – LOCATION OF TANK FITTINGS

SYSTEM CONNECTION	
CA90 TO CA215	1" NPT
CA300 TO CA2500	1 1/2" NPT
CA3000 & CA5000	2" NPT
CA7500 & CA10000	3" NPT



NSF/ANSI 61-G [P] Option, (Ex. P/N CA90-125P)

Models certified to NSF 61-G are required to be installed on the cold water side of the hot water heater.

Diagram 2 – Air Charge Check Chart

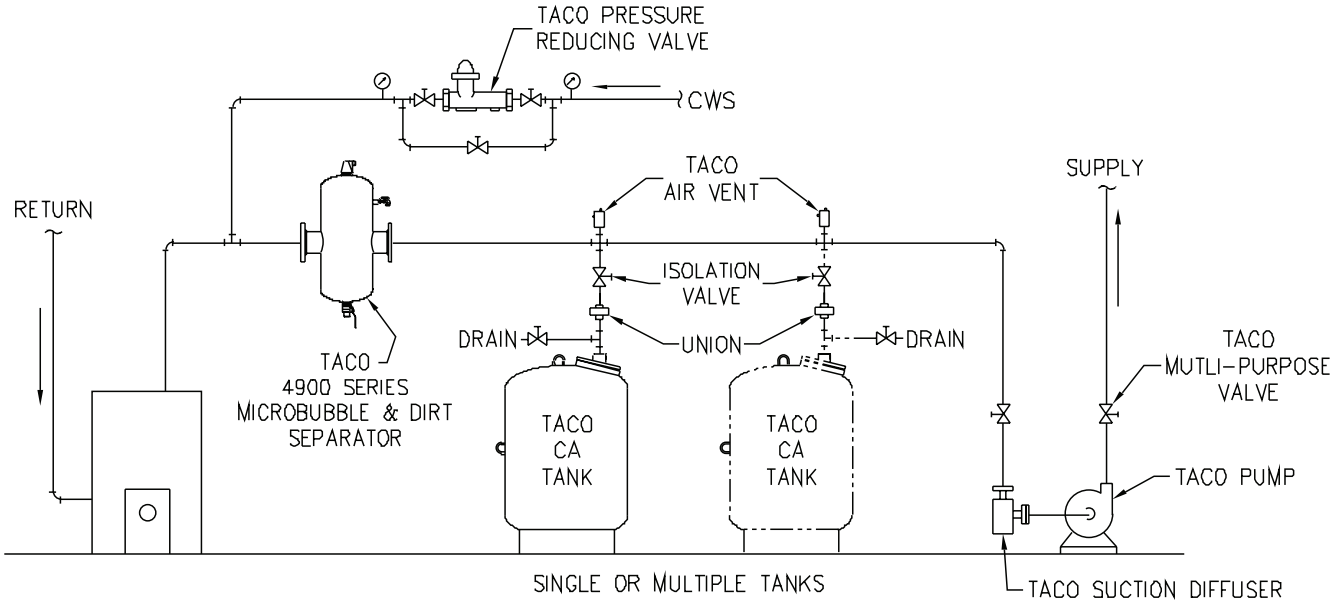
Specified Pre Charge Pressure P.S.I. (at 68°F)	Ambient Temperature (°F)								
	36	44	52	60	68	76	84	92	100
12	10.4	10.8	11.2	11.6	12.0	12.4	12.8	13.2	13.6
20	17.9	18.4	18.9	19.5	20.0	20.5	21.1	21.6	22.1
30	27.3	28.0	28.6	29.3	30.0	30.7	31.4	32.0	32.7
40	36.7	37.5	38.2	39.2	40.0	40.8	41.6	42.5	43.3
50	46.1	47.1	48.0	49.0	50.0	51.0	52.0	52.9	53.9
60	55.5	56.6	57.7	58.9	60.0	61.1	62.3	63.4	64.5
70	64.9	66.1	67.4	68.7	70.0	71.3	72.6	73.9	75.1

How to Use the Chart

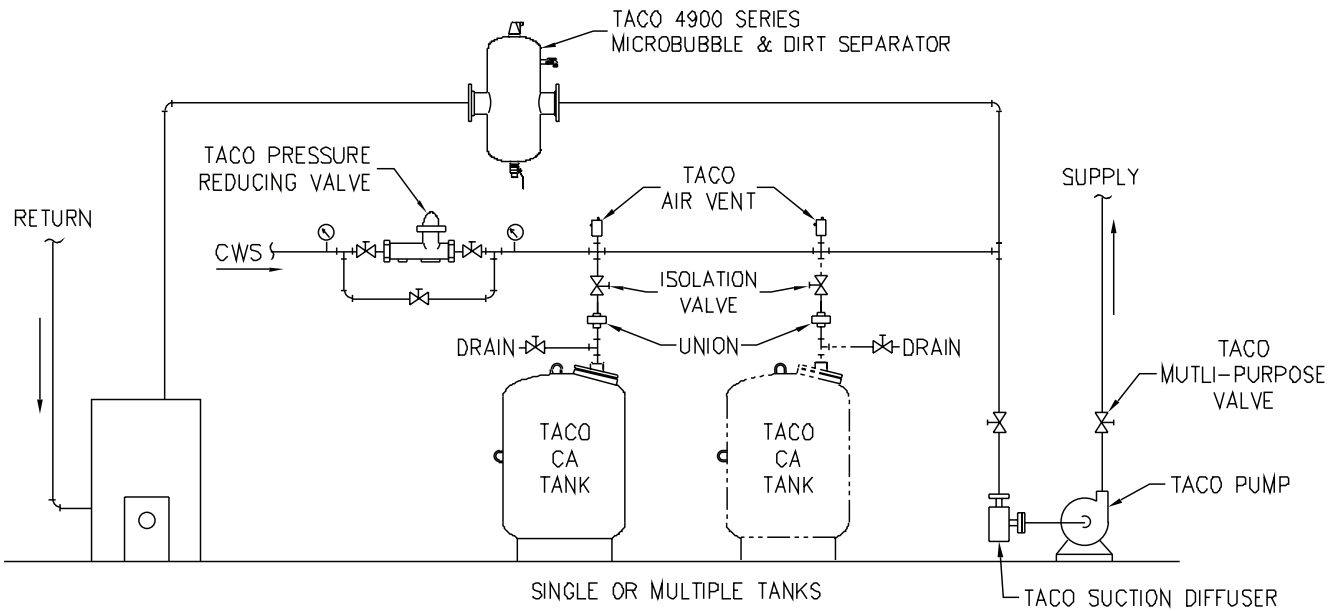
- Determine ambient air temperature where the tank is being checked.
- Locate the specified pre-charge pressure in the left-hand column.
- Follow across horizontally to the number under the ambient air temperature.
- The number found under Step No. 3 is the temperature corrected air charge pressure in p.s.i. and should agree with the gauge reading observed at the tank.
- If the temperature corrected air charge pressure differs by more than 1 p.s.i. from the pre-charge pressure specified for the system, then correct it by bleeding pressure through the air charge valve or by adding pressure with an air compressor.

Captive Air Tank Piping Diagrams

RECOMMENDED INSTALLATION FOR HEATING SYSTEM OR CHILLED WATER APPLICATIONS



RECOMMENDED INSTALLATION FOR NSF/ANSI 61-G APPLICATIONS



See Related Documents:

- 400-1.2 Catalog
- 402-002 CA Expansion Tank Instruction Sheet
- 402-013 Instruction Sheet, This Document
- 401-083 CA Expansion Tank Submittal
- 401-083P CA Expansion Tank Submittal NSF

For factory contact on Taco Fall River heat transfer products, please call 508-674-5353.

Taco Comfort Solutions™ A Taco Group Company

Taco, Inc., 1160 Cranston Street, Cranston, RI 02920 | Tel: (401) 942-8000 | FAX: (401) 942-2360

Taco (Canada), Ltd., 8450 Lawson Road, Suite #3, Milton, Ontario L9T 0J8 | Tel: (905) 564-9422 | FAX: (905) 564-9436

Visit our web site: www.TacoComfort.com | Printed in USA | ©2015 Taco, Inc.

