



Replacement Parts List

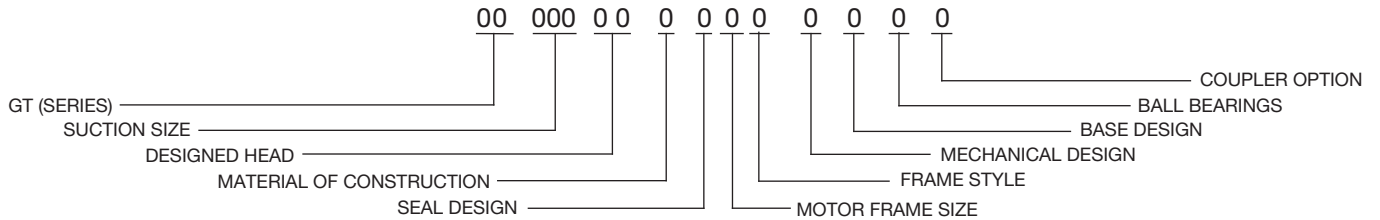
304-440

MODELS GT30037, GT35024, GT30066, GT40032, GT40070, GT45043

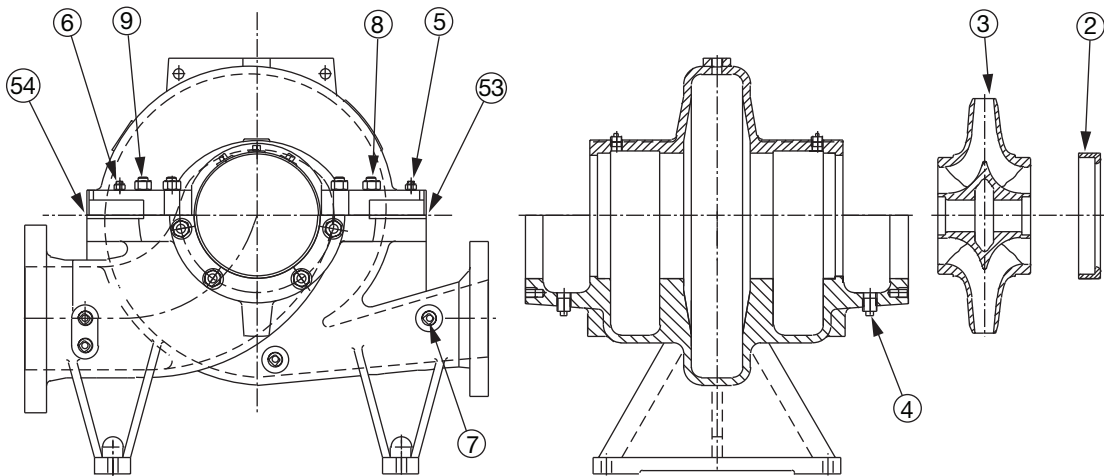
SUPERSEDES: September 1, 2012

EFFECTIVE: March 21, 2014

WHEN SELECTING AND ORDERING PARTS, ALWAYS REFER TO SERIAL NUMBER ON NAMEPLATE



CASING & IMPELLER PARTS

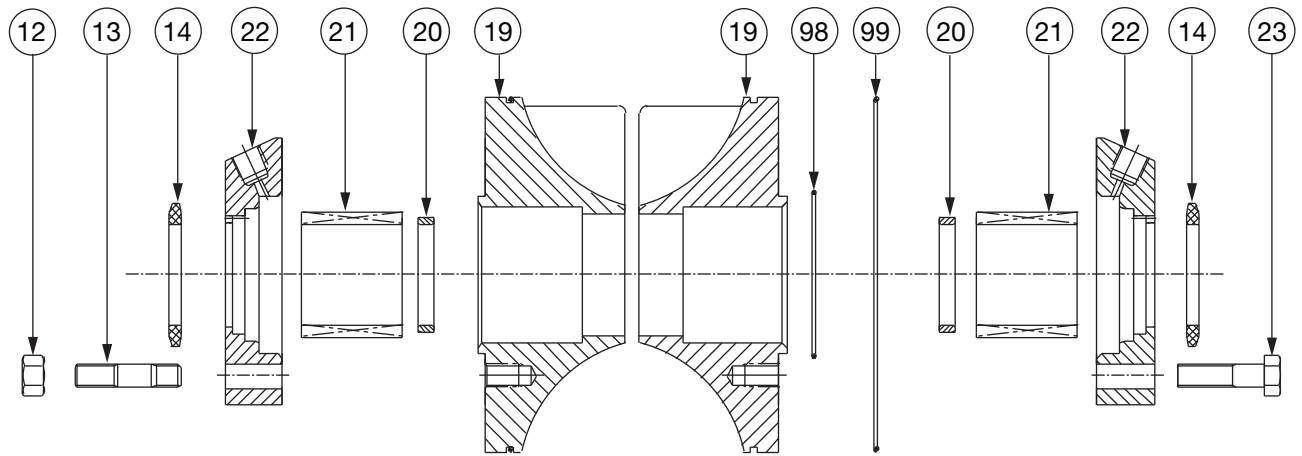


*PARTS NOT IDENTIFIED WITH A BALLOON ARE FOR REFERENCE ONLY.

AW-926 REV A

ITEM NO.	QTY. REQ.	DESCRIPTION	PUMP MODEL					
			GT30037	GT35024	GT40032	GT30066	GT45043	GT40070
2	2	WEAR RING (CASING)	955-1006RP	955-1007RP	955-1006RP		955-1009RP	955-1010RP
3	1	IMPELLER (BRZ)	955-1011RP	955-1012RP	955-1013RP	955-1014RP	955-1015RP	955-1016RP
3	1	IMPELLER (SS)	955-1213RP	955-1214RP	955-1215RP	955-1216RP	955-1217RP	955-1218RP
4	2	PLUG, CASING DRAIN	3/4					
5	2	STUD, CASING	M16 X 120					
6	2	NUT, CASING	M16					
7	10	PIPE PLUG	1/2 NPT					
8	12		M24 X 80	M24 X 80	-----	-----	-----	-----
8	16	BOLT, DOUBLE END COLUMN	-----	-----	-----	M24 X 80	M27 X 85	M27 X 90
8	24		-----	-----	M24 X 80	-----	-----	-----
9	12		M24	M24	-----	-----	-----	-----
9	16	NUT, CASING	-----	-----	-----	M24 X 16	M27	M27
9	24		-----	-----	M24 X 16	-----	-----	-----
53	1	CASING GASKET, DISCHARGE	955-1122RP	955-1124RP	955-1126RP	955-1169RP	955-1171RP	955-1173RP
54	1	CASING GASKET, SUCTION	955-1123RP	955-1125RP	955-1127RP	955-1170RP	955-1172RP	955-1174RP

SEAL PARTS

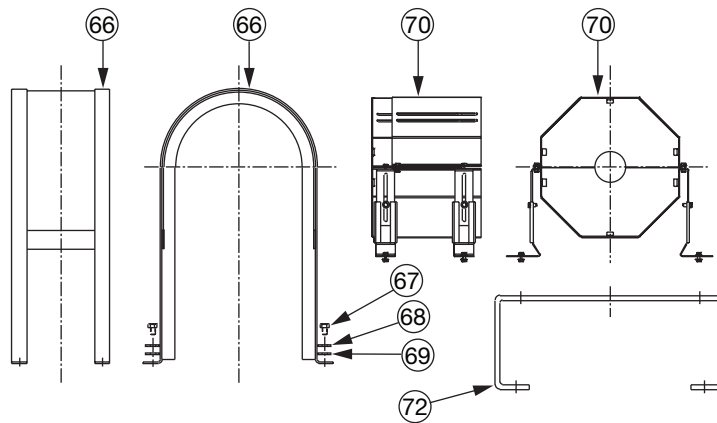


*PARTS NOT IDENTIFIED WITH A BALLOON ARE FOR REFERENCE ONLY.

ITEM NO.	QTY. REQ.	DESCRIPTION	PUMP MODEL		
			GT30037, GT35024	GT40032, GT30066	GT45043, GT40070
12	4	NUT, SEAL RETAINER CAP	M16		M20
13	4	STUD, SEAL RETAINER CAP	M16 X 65		M20 X 70
14	2	SLINGER	955-1099RP	955-1100RP	955-1101RP
19	2	SEAL HOUSING UNIT	955-1102RP	955-1103RP	955-1104RP
20	2	SEAL BUSHING	955-1105RP	955-1106RP	955-1107RP
21	2	MECHANICAL SEAL, UNBALANCED	955-2403RP	955-1843RP	955-1855RP
21	2	MECHANICAL SEAL, BALANCED	955-1847RP	955-1848RP	955-1849RP
22	2	COVER, MECHANICAL SEAL	955-1111RP	955-1112RP	955-1113RP
23	8	BOLT, SEAL RETAINER CAP	M16 X 60		M20 X 70
98	2	O-RING, SEAL COVER TO SEAL HOUSING	955-1822RP	955-1823RP	955-1824RP
99	2	O-RING, SEAL HOUSING TO CASING	955-1825RP	955-1826RP	955-1827RP

AW-927 REV D

COUPLING GUARD PARTS

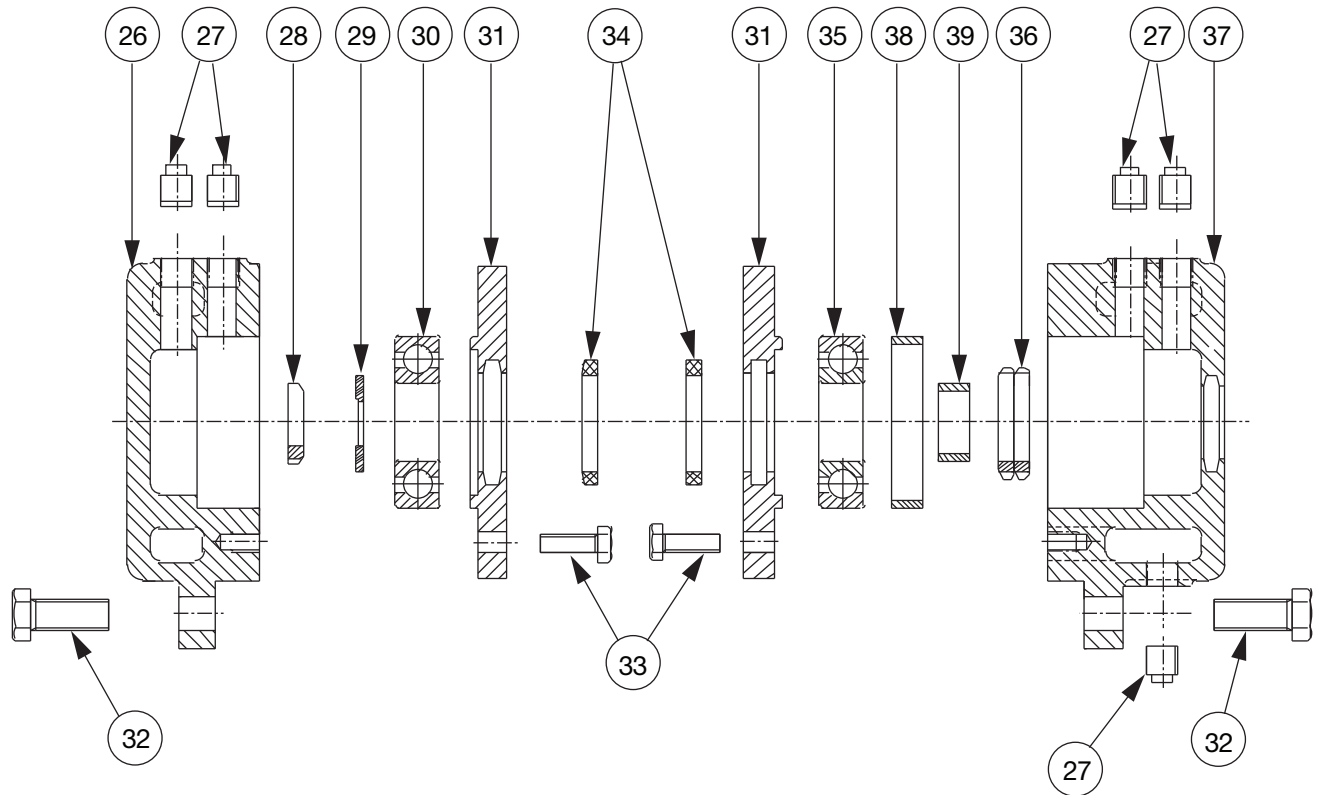


*PARTS NOT IDENTIFIED WITH A BALLOON ARE FOR REFERENCE ONLY.

ITEM NO.	QTY. REQ.	DESCRIPTION	PUMP MODEL		
			GT30037, GT35024	GT30066, GT40032	GT45043, GT40070
66	1	GUARD, STANDARD COUPLING	955-1210RP	955-1211RP	955-1212RP
67	4	SCREW, COUPLING GUARD	M10 X 16		
68	4	LOCKWASHER, COUPLING GUARD	M10		
69	4	WASHER, COUPLING GUARD	M10		
70	1	GUARD, OSHA COUPLING	955-1197RP		955-1198RP
72	1	STAND, OSHA COUPLING GUARD	955-1193RP	955-1194RP	955-1195RP

AW-933 REV A

BEARING PARTS

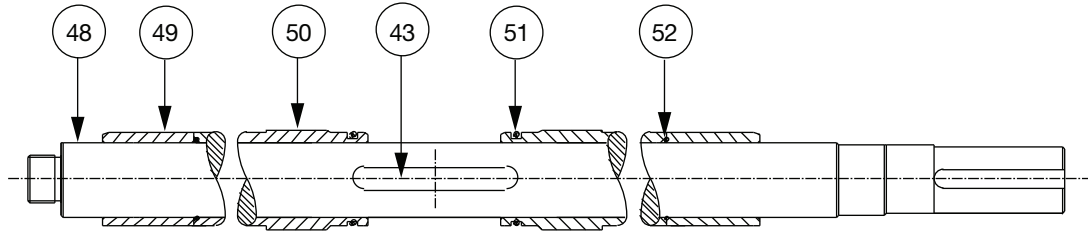
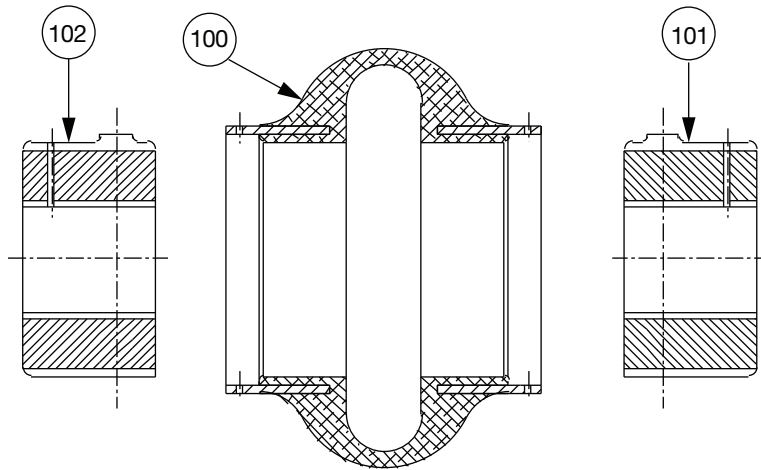


*PARTS NOT IDENTIFIED WITH A BALLOON ARE FOR REFERENCE ONLY

ITEM NO	QTY, REQ	DESCRIPTION	PUMP MODEL				
			GT30037, GT35024	GT30066	GT40032	GT40070	GT45043
26	1	BEARING HOUSING (NDE)	955-1058RP	955-1059RP		955-1060RP	
27	6	PLUG, BEARING HOUSING	3/8				
28	1	NUT, BEARING RETAINING	M45 X 1.5	M50 X 1.5		M55 X 2	
29	1	WASHER	ø90 X ø50 X 3	ø100 X ø60 X 3		ø110 X ø60 X 3	
30	1	BEARING (NDE)	955-1068RP	955-1069RP			
31	2	CAP, BEARING RETAINING	955-1070RP	955-1071RP		955-1072RP	
32	8	BOLT, BEARING HOUSING	M20 X 55				
33	8	BOLT, BEARING RETAINING	M10 X 35	M10 X 30		M12 X 35	
34	2	SEAL, OIL	955-1077RP	955-1078RP		955-1079RP	
35	2	BEARING (DE)	955-1068RP	-----	955-1829RP	955-183DRP	-----
35	1		-----	955-1829RP	-----	-----	955-1830RP
36	2	NUT, BEARING RETAINING	Mø8 X 2.0 (REVERSE THREAD)	M80 X 2.0 (REVERSE THREAD)		M90 X 2.0 (REVERSE THREAD)	
37	1	BEARING HOUSING (DE)	955-1086RP	955-1087RP		955-1088RP	
38	1	WASHER, BEARING OUTER	955-1089RP	955-1090RP		955-1091RP	
39	1	WASHER, BEARING INNER	955-1092RP	955-1093RP		955-1094RP	

AW-928 REV C

SHAFT & COUPLER PARTS (page 1 of 3)



AW-929 REV E (1 OF 3)

ITEM NO.	QTY. REQ.	DESCRIPTION	PUMP MODEL		
			GT30037, GT35024	GT30066, GT40032	GT45043, GT40070
43	1	KEY, IMPELLER	955-1033RP	955-1121RP	955-1034RP
48	1	SHAFT KIT CS CW *	955-1043RP	955-1044RP	955-1045RP
48	1	SHAFT KIT SS CW *	955-1220RP	955-1221RP	955-1222RP
49	2	BEARING SPACER (CI)	955-1046RP	955-1047RP	955-1048RP
50	2	SLEEVE, SHAFT (BRZ)	955-1049RP	955-1050RP	955-1051RP
50	2	SLEEVE, SHAFT (SS)	955-1226RP	955-1227RP	955-1228RP
51	2	O-RING, INNER	955-1052RP	955-1053RP	955-1054RP
52	2	O-RING, OUTER	955-1055RP	955-1056RP	955-1057RP

* See back page for CCW shaft kits and kit contents.

SHAFT & COUPLER PARTS (page 2 of 3)

ITEM NO.	QTY. REQ.	DESC.	PUMP TYPE	NEMA MTR FRAME SIZE													
				326T	364T	365T	404T	405T	444T	445T	447T	449T	E5006	E5008	E5010	E5012	E5808
100	1	ELEMENT	GT35024	953-2475	953-2475	953-2478	953-2478	953-2544	953-2544	953-2545	953-2545	953-2545	N/A	N/A	N/A	N/A	N/A
			GT30037	N/A	N/A	953-2475	953-2478	953-2544	953-2545	953-2545	953-2545	953-4046	N/A	N/A	N/A	N/A	N/A
			GT40032	N/A	N/A	953-2478	953-2478	953-2544	953-2545	953-4046	953-4046	953-4046	N/A	953-4046	N/A	N/A	N/A
			GT30066	N/A	N/A	N/A	N/A	953-2478	953-2545	953-4046	953-4046	953-4046	N/A	953-4046	953-4055	N/A	N/A
			GT45043	N/A	N/A	N/A	N/A	N/A	N/A	953-4046	953-4046	953-4055	953-4046	953-4055	953-4055	953-4055	N/A
			GT40070	N/A	N/A	N/A	N/A	N/A	N/A	N/A	953-4046	953-4055	953-4046	953-4055	953-4055	953-4055	N/A

ITEM NO.	QTY. REQ.	DESC.	PUMP TYPE	NEMA MTR FRAME SIZE						
				E5810	E5812	G5008	G5010	G5012	G400J	G500M
100	1	ELEMENT	GT35024	N/A	N/A	N/A	N/A	N/A	N/A	
			GT30037	N/A	N/A	N/A	N/A	N/A	N/A	
			GT40032	N/A	N/A	953-4046	953-4046	N/A	N/A	N/A
			GT30066	N/A	N/A	953-4046	953-4046	953-4055	N/A	N/A
			GT45043	953-4055	N/A	953-4046	953-4055	953-4055	953-4055	N/A
			GT40070	953-4055*	N/A	N/A	953-4055	953-4055	953-4055*	G-FLEX

NOTE:
 1. ADD "RP" AT END OF PART NUMBER WHEN ORDERING.
 2. PARTS NOT IDENTIFIED WITH A BALLOON ARE FOR REFERENCE ONLY.
 3. * - USE G FLEX WHEN MIN HP IS 1250 OR GREATER

ITEM NO.	QTY. REQ.	DESC.	PUMP TYPE	NEMA MTR FRAME SIZE													
				326T	364T	365T	404T	405T	444T	445T	447T	449T	E5006	E5008	E5010	E5012	E5808
101	1	HUB, MOTOR	GT35024	953-2539	953-2477	953-2542	953-2480	953-3925	953-2549	953-2551	953-2551	953-2551	N/A	N/A	N/A	N/A	N/A
			GT30037	N/A	N/A	953-2477	953-2480	953-3925	953-2551	953-2551	953-2551	953-4052	N/A	N/A	N/A	N/A	N/A
			GT40032	N/A	N/A	953-2542	953-2480	953-3925	953-2551	953-4052	953-4052	953-4052	N/A	953-4093	N/A	N/A	N/A
			GT30066	N/A	N/A	N/A	N/A	953-2480	953-2551	953-4052	953-4052	953-4052	N/A	953-4093	953-4097	N/A	N/A
			GT45043	N/A	N/A	N/A	N/A	N/A	N/A	953-4052	953-4052	953-4060	953-4093	953-4097	953-4097	953-4097	N/A
			GT40070	N/A	N/A	N/A	N/A	N/A	N/A	N/A	953-4052	953-4060	953-4093	953-4097	953-4097	953-4097	N/A

ITEM NO.	QTY. REQ.	DESC.	PUMP TYPE	NEMA MTR FRAME SIZE						
				E5810	E5812	G5008	G5010	G5012	G400J	G500M
101	1	HUB, MOTOR	GT35024	N/A	N/A	N/A	N/A	N/A	N/A	
			GT30037	N/A	N/A	N/A	N/A	N/A	N/A	
			GT40032	N/A	N/A	953-4093	953-4093	N/A	N/A	N/A
			GT30066	N/A	N/A	953-4093	953-4093	953-4097	N/A	N/A
			GT45043	953-4108	N/A	953-4093	953-4097	953-4097	953-4109	N/A
			GT40070	953-4108*	N/A	N/A	953-4097	953-4097	953-4109*	G-FLEX

ITEM NO.	QTY. REQ.	DESC.	PUMP TYPE	NEMA MTR FRAME SIZE													
				326T	364T	365T	404T	405T	444T	445T	447T	449T	E5006	E5008	E5010	E5012	E5808
102	1	HUB, PUMP	GT35024	953-3316	953-3316	953-3118	953-3118	953-3190	953-3190	953-4071	953-4071	953-4071	N/A	N/A	N/A	N/A	N/A
			GT30037	N/A	N/A	953-3316	953-3118	953-3190	953-4071	953-4071	953-4071	953-4095	N/A	N/A	N/A	N/A	N/A
			GT40032	N/A	N/A	953-3112	953-3112	953-3314	953-4092	953-4047	953-4047	953-4047	N/A	953-4047	N/A	N/A	N/A
			GT30066	N/A	N/A	N/A	N/A	953-3112	953-4092	953-4047	953-4047	953-4047	N/A	953-4047	953-4099	N/A	N/A
			GT45043	N/A	N/A	N/A	N/A	N/A	N/A	953-4096	953-4096	953-4056	953-4096	953-4056	953-4056	953-4056	N/A
			GT40070	N/A	N/A	N/A	N/A	N/A	N/A	N/A	953-4096	953-4056	953-4096	953-4056	953-4056	953-4056	N/A

ITEM NO.	QTY. REQ.	DESC.	PUMP TYPE	NEMA MTR FRAME SIZE						
				E5810	E5812	G5008	G5010	G5012	G400J	G500M
102	1	HUB, PUMP	GT35024	N/A	N/A	N/A	N/A	N/A	N/A	
			GT30037	N/A	N/A	N/A	N/A	N/A	N/A	
			GT40032	N/A	N/A	953-4047	953-4047	N/A	N/A	N/A
			GT30066	N/A	N/A	953-4047	953-4047	953-4099	N/A	N/A
			GT45043	953-4056	N/A	953-4096	953-4056	953-4056	953-4056	N/A
			GT40070	953-4056*	N/A	N/A	953-4056	953-4056	953-4056*	G-FLEX

AW-929 REV E (2 OF 3)

SHAFT & COUPLER PARTS (page 3 of 3)

ITEM NO.	QTY. REQ.	DESC.	PUMP TYPE	IEC MTR FRAME SIZE											
				225M	250M	280S	280M	315S	315M	315L	355M	355L	400M	400L	450M
100	1	ELEMENT	GT35024	953-2475	953-2475	953-2478	953-2544	953-2544	N/A	N/A	N/A	N/A	N/A	N/A	N/A
			GT30037	N/A	N/A	953-2478	953-2544	953-2544	953-2545	953-2545	N/A	N/A	N/A	N/A	N/A
			GT40032	N/A	N/A	N/A	953-2544	953-2544	953-2545	953-4046	N/A	N/A	N/A	N/A	N/A
			GT30066	N/A	N/A	N/A	N/A	953-2544	953-2545	953-4046	953-4046	953-4046	N/A	N/A	N/A
			GT45043	N/A	N/A	N/A	N/A	N/A	N/A	953-4046	953-4046	953-4055	953-4055	N/A	N/A
			GT40070	N/A	N/A	N/A	N/A	N/A	N/A	N/A	N/A	953-4055	953-4055	G-FLEX	G-FLEX

ITEM NO.	QTY. REQ.	DESC.	PUMP TYPE	IEC MTR FRAME SIZE											
				225M	250M	280S	280M	315S	315M	315L	355M	355L	400M	400L	450M
101	1	HUB, MOTOR	GT35024	953-3111	953-3316	953-3112	953-3314	953-3318	N/A	N/A	N/A	N/A	N/A	N/A	N/A
			GT30037	N/A	N/A	953-3112	953-3314	953-3318	953-3331	953-3331	N/A	N/A	N/A	N/A	N/A
			GT40032	N/A	N/A	N/A	953-3314	953-3318	953-3331	953-4106	N/A	N/A	N/A	N/A	N/A
			GT30066	N/A	N/A	N/A	N/A	953-3318	953-3331	953-4106	953-4200	953-4200	N/A	N/A	N/A
			GT45043	N/A	N/A	N/A	N/A	N/A	N/A	953-4106	953-4200	953-4258	953-4259	N/A	N/A
			GT40070	N/A	N/A	N/A	N/A	N/A	N/A	N/A	N/A	953-4258	953-4259	G-FLEX	G-FLEX

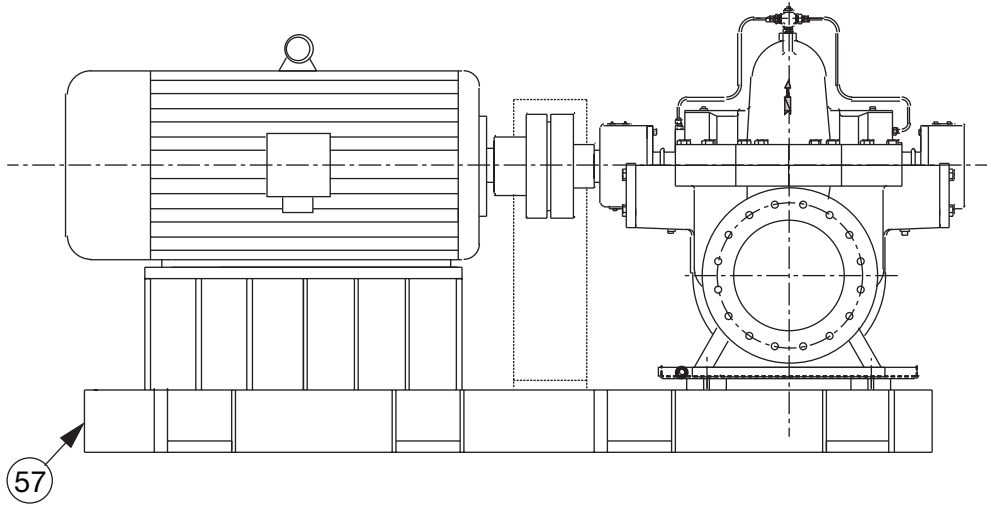
ITEM NO.	QTY. REQ.	DESC.	PUMP TYPE	IEC MTR FRAME SIZE											
				225M	250M	280S	280M	315S	315M	315L	355M	355L	400M	400L	450M
102	1	HUB, PUMP	GT35024	953-3316	953-3316	953-3118	953-3190	953-3190	N/A	N/A	N/A	N/A	N/A	N/A	N/A
			GT30037	N/A	N/A	953-3118	953-3190	953-3190	953-4071	953-4071	N/A	N/A	N/A	N/A	N/A
			GT40032	N/A	N/A	N/A	953-3314	953-3314	953-4092	953-4047	N/A	N/A	N/A	N/A	N/A
			GT30066	N/A	N/A	N/A	N/A	953-3314	953-4092	953-4047	953-4047	953-4047	N/A	N/A	N/A
			GT45043	N/A	N/A	N/A	N/A	N/A	N/A	953-4096	953-4096	953-4056	953-4056	N/A	N/A
			GT40070	N/A	N/A	N/A	N/A	N/A	N/A	N/A	N/A	953-4056	953-4056	G-FLEX	G-FLEX

AW-929 REV E (3 OF 3)

NOTE:

1. ADD "RP" AT END OF PART NUMBER WHEN ORDERING.
2. PARTS NOT IDENTIFIED WITH A BALLOON ARE FOR REFERENCE ONLY.

MOTOR PARTS



ITEM NO.	QTY. REQ.	DESC.	PUMP TYPE	IEC MTR FRAME SIZE												
				225M	250M	280S	280M	315S	315M	315L	355M	355L	400M	400L	450M	
57	1	BASE, FABRICATED	GT35024	955-1904	955-1866	955-1867	955-1867	955-1868	N/A	N/A	N/A	N/A	N/A	N/A	N/A	
			GT30037	N/A	N/A	955-1867	955-1867	955-1868	955-1869	955-1869	N/A	N/A	N/A	N/A	N/A	
			GT40032	N/A	N/A	N/A	955-1877	955-1870	955-1871	955-1871	N/A	N/A	N/A	N/A	N/A	
			GT30066	N/A	N/A	N/A	N/A	955-1870	955-1871	955-1871	955-1872	955-1872	N/A	N/A	N/A	
			GT45043	N/A	N/A	N/A	N/A	N/A	N/A	955-1873	955-1874	955-1874	955-1874	955-1875	N/A	N/A
			GT40070	N/A	N/A	N/A	N/A	N/A	N/A	N/A	N/A	955-1874	955-1875	955-1875	955-1875	955-1876

ITEM NO.	QTY. REQ.	DESC.	PUMP MODEL	NEMA MTR FRAME SIZE													
				326T	364T	365T	404T	405T	444T	445T	447T	449T	E5006	E5008	E5010	E5012	E5808
57	1	BASE, FABRICATED	GT35024	955-1903	955-1904	955-1904	955-1906	955-1906	955-1908	955-1908	955-1910	955-1911	N/A	N/A	N/A	N/A	N/A
			GT30037	N/A	N/A	955-1904	955-1906	955-1906	955-1908	955-1908	955-1910	955-1911	N/A	N/A	N/A	N/A	N/A
			GT40032	N/A	N/A	N/A	955-1913	955-1913	955-1915	955-1915	955-1917	955-1918	N/A	955-1919	N/A	N/A	N/A
			GT30066	N/A	N/A	N/A	N/A	955-1913	955-1915	955-1915	955-1917	955-1918	N/A	955-1919	955-1920	N/A	N/A
			GT45043	N/A	N/A	N/A	N/A	N/A	N/A	955-1924	955-1925	955-1926	955-1927	955-1928	955-1929	955-1930	N/A
			GT40070	N/A	N/A	N/A	N/A	N/A	N/A	N/A	955-1925	955-1926	955-1927	955-1928	955-1929	955-1930	955-1931

ITEM NO.	QTY. REQ.	DESC.	PUMP MODEL	NEMA MTR FRAME SIZE						
				E5810	E5812	G5008	G5010	G5012	G400J	G500M
57	1	BASE, FABRICATED	GT35024	N/A	N/A	N/A	N/A	N/A	N/A	N/A
			GT30037	N/A	N/A	N/A	N/A	N/A	N/A	N/A
			GT40032	N/A	N/A	955-1921	955-1922	N/A	N/A	N/A
			GT30066	N/A	N/A	955-1921	955-1922	955-1923	N/A	N/A
			GT45043	955-1932	N/A	955-1935	955-1937	955-1938	955-1934	N/A
			GT40070	955-1932	955-1933	N/A	955-1937	955-1938	955-1934	955-1936

NOTE:

1. ADD "RP" AT END OF PART NUMBER WHEN ORDERING.
2. PARTS NOT IDENTIFIED WITH A BALLOON ARE FOR REFERENCE ONLY.
3. BASE NUMBERS LISTED ARE REPLACEMENTS FOR THE NEW DESIGNS ONLY. IF BASES WERE PURCHASED PRIOR TO 2-1-12, PLEASE CONTACT TECH SUPPORT TO OBTAIN THE OBSOLETE BASE R.P. LIST.

GT PARTS KITS

PUMP MODEL NUMBER	SHAFT	SHAFT KIT	BEARING RETAINING NUTS AND WASHERS KIT	MECHANICAL SEAL AND SEAL BUSHING KIT	O-RING KIT
GT30037	CW CS	955-1043RP	955-2543RP	955-2559RP	955-2535RP
	CCW CS	955-2443RP	955-2546RP		
	CW SS	955-1220RP	955-2543RP		
	CCW SS	955-2520RP	955-2546RP		
GT30066	CW CS	955-1044RP	955-2544RP	955-2560RP	955-2536RP
	CCW CS	955-2444RP	955-2547RP		
	CW SS	955-1221RP	955-2544RP		
	CCW SS	955-2521RP	955-2547RP		
GT35024	CW CS	955-1043RP	955-2543RP	955-2559RP	955-2535RP
	CCW CS	955-2443RP	955-2546RP		
	CW SS	955-1220RP	955-2543RP		
	CCW SS	955-2520RP	955-2546RP		
GT40032	CW CS	955-1044RP	955-2544RP	955-2560RP	955-2536RP
	CCW CS	955-2444RP	955-2547RP		
	CW SS	955-1221RP	955-2544RP		
	CCW SS	955-2521RP	955-2547RP		
GT40070	CW CS	955-1045RP	955-2545RP	955-2561RP	955-2537RP
	CCW CS	955-2445RP	955-2548RP		
	CW SS	955-1222RP	955-2545RP		
	CCW SS	955-2522RP	955-2548RP		
GT45043	CW CS	955-1045RP	955-2545RP	955-2561RP	955-2537RP
	CCW CS	955-2445RP	955-2548RP		
	CW SS	955-1222RP	955-2545RP		
	CCW SS	955-2522RP	955-2548RP		

LEGEND: CW - CLOCKWISE
 CCW - COUNTER CLOCKWISE
 CS - CARBON STEEL
 SS - STAINLESS STEEL

GT PARTS KIT CONTENTS

SHAFT KIT	BEARING RETAINING NUTS AND WASHERS KIT	MECHANICAL SEAL AND SEAL BUSHING KIT	O-RING KIT
Shaft (1)	Nut, DE (2)	Mech. Seal Unbal (1)	O-Ring, Shaft, Inner (2)
O-Ring, Inner (2)	Nut, NDE (1)	Seal Bushing (1)	O-Ring, Shaft, Outer (2)
O-Ring, Outer (2)	Washer (1)		O-Ring, Seal Cover (2)
Nut, DE (2)			O-Ring, Casing (2)
Nut, NDE (1)			
O-Ring, Seal Cover (2)			
Washer (1)			

TACO Comfort Solutions™ A Taco Group Company

Taco, Inc., 1160 Cranston Street, Cranston, RI 02920 | Tel: (401) 942-8000 | FAX: (401) 942-2360

Taco (Canada), Ltd., 8450 Lawson Road, Suite #3, Milton, Ontario L9T 0J8 | Tel: (905) 564-9422 | FAX: (905) 564-9436

Visit our web site: www.TacoComfort.com | Printed in USA | ©2015 Taco, Inc.

