



Submittal Data Information

TC Series Pumps (60 Hz NEMA)

301-1861

EFFECTIVE: December 1, 2011

SUPERSEDES: September 1, 2011

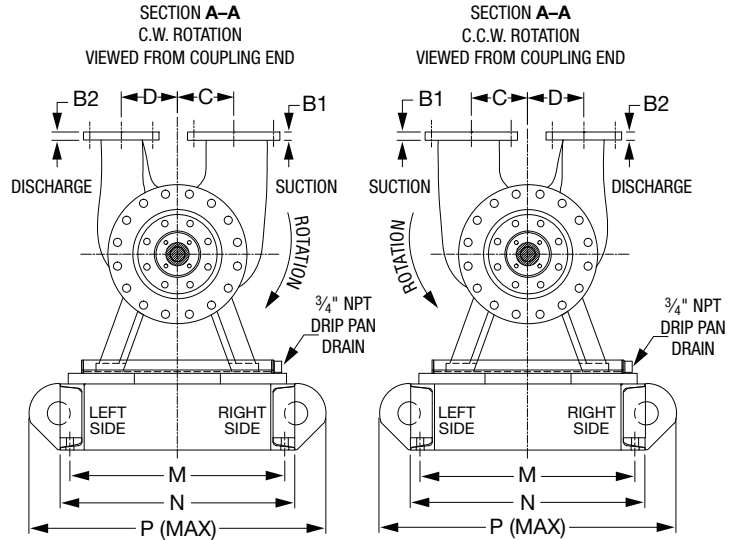
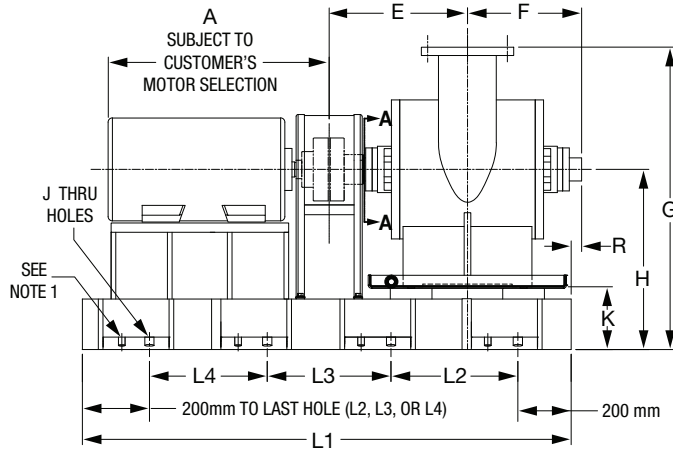
1760 RPM MODEL 121018

JOB _____ ENGINEER _____

CONTRACTOR _____ REP. _____

ITEM NO.	MODEL NO.	IMPELLER DIA.	G.P.M.	HEAD/FT.	H.P.	ELEC. CHAR.
----------	-----------	---------------	--------	----------	------	-------------

WEIGHT _____ PUMP/MOTOR _____



MOTOR HP & FRAME COMBINATIONS

Model No.	HP	MOTOR FRAME - ODP		MOTOR FRAME - TEFC	
		1760 RPM	460 VOLT *	2300/4160 VOLT	460 VOLT *
121018 12 x 10 (305 x 254)	200	445T	N/A	447T	N/A
	250	447T		449T	
	300	449T	449T	G5008	
	350	449T	E5008	G5008	
	400	449T	E5008	G5008	
	500	E5008	E5010	G5010	

For all customer supplied motors above 449 NEMA frame, a certified motor drawing must be supplied by the customer at time of order entry.

Submittal dimensions for motor frames above 449 NEMA are specific to Baldor Electric Motors only.

English dimensions are in inches. Metric dimensions are in millimeters. Metric data is presented in ().

Dimensions are subject to change without notice. Do not use for construction purposes unless certified.

* Standard voltage is 230/460 for motors up to 100HP.

NOTE 1: Additional set of smaller holes are for alignment. Dimensions not supplied.

MOTOR & FRAME DIMENSIONS

** Motor dimensions are approximate and vary by manufacturer and motor type.

Model No.	NEMA Motor Frame	A** (Maximum Value)	J	K	L1	L2	L3	L4	M	N	P
121018 12 x 10 (305 x 254)	445T	44.88 (1140)	8 x 1.1 (8 x 28)	9.33 (237)	92.52 (2350)	25.59 (650)	25.59 (650)	25.59 (650)	35.43 (900)	37.64 (956)	45.28 (1150)
	447T	48.66 (1236)			101.18 (2570)	28.48 (723.3)	28.48 (723.3)	28.48 (723.3)			
	449T	53.66 (1363)			106.30 (2700)	30.19 (766.7)	30.19 (766.7)	30.19 (766.7)			
	E5008	60.39 (1534)			100.00 (2540)	28.08 (713.3)	28.08 (713.3)	28.08 (713.3)			
	G5008				108.66 (2760)	30.97 (786.7)	30.97 (786.7)	30.97 (786.7)			
	E5010				107.09 (2720)	30.44 (773.3)	30.44 (773.3)	30.44 (773.3)			
G5010	115.75 (2940)		33.33 (846.7)	33.33 (846.7)	33.33 (846.7)						

PUMP DIMENSIONS

Model No.	NEMA Motor Frame	B1 Suction		B2 Discharge		C	D	E	F	G	H	R
		ANSI Class 125	ANSI Class 250	ANSI Class 125	ANSI Class 250							
121018 12 x 10 (305 x 254)	445T	1.26 (32)	2.01 (51)	1.18 (30)	1.89 (48)	11.81 (300)	11.81 (300)	29.80 (757)	22.87 (581)	57.36 (1457)	35.71 (907)	2.20 (56)
	447T											
	449T											
	E5008											
	G5008											
	G5010											

MATERIALS OF CONSTRUCTION

Item	Bronze Fitted		All Iron	
	Standard	Optional	Standard	Optional
Casing	Cast Iron ASTM A48 Class 30A	N/A	Cast Iron ASTM A48 Class 30A	N/A
Impeller	Bronze ASTM B584-836	Stainless Steel AISI 304	Stainless Steel AISI 304	N/A
Wear Ring	Bronze ASTM B584-836	N/A	Stainless Steel AISI 420	N/A
Shaft	Carbon Steel AISI 1045	Stainless Steel AISI 420	Carbon Steel AISI 1045	Stainless Steel AISI 420
Shaft Sleeve	Bronze ASTM B584-836	Stainless Steel AISI 420	Stainless Steel AISI 420	N/A
Mechanical Seal	Carbon/ Silicon Carbide Viton	N/A	Carbon/ Silicon Carbide Viton	N/A
Seal Flush Line	N/A	Copper	N/A	Copper

CF - Consult Factory

N/A - Not Available

OPERATING SPECIFICATIONS

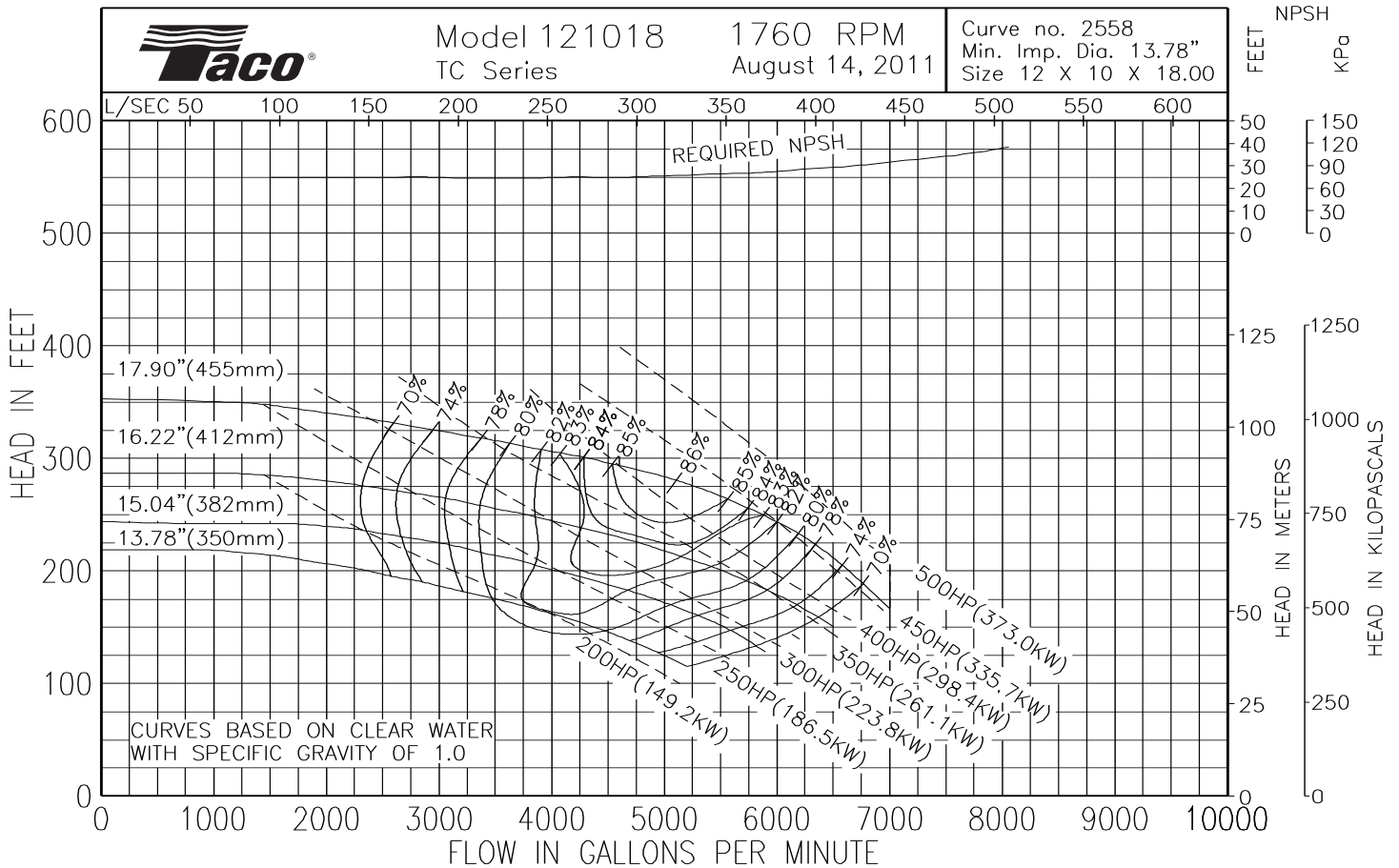
	Standard	Optional
Flange	ANSI Class 125	ANSI Class 250
Pressure	175 PSIG* (1210 KPA)	300 PSIG** (2070 KPA)
Temperature	250°F (120°C)	250°F (120°C)

* In accordance with ANSI Standard B16.1 Class 125

** In accordance with ANSI Standard B16.1 Class 250

**MAXIMUM ASSEMBLY WEIGHT
(INCLUDING MOTOR)**

Motor Frame	Weight Lbs (Kg)
444T - 445T	6030 (2738)
447T - 449T	6950 (3155)
E5008	7790 (3537)
G5008	9290 (4218)
E5010	8790 (3991)
G5010	10140 (4604)



Comments: _____

Do it Once. Do it Right.®

TACO, INC., 1160 Cranston Street, Cranston, RI 02920 Telephone: (401) 942-8000 FAX: (401) 942-2360.
TACO (Canada), Ltd., 8450 Lawson Road, Unit #3, Milton, Ontario L9T 0J8. Telephone: 905/564-9422. FAX: 905/564-9436.
 Visit our web site at: <http://www.taco-hvac.com>

Printed in USA
 Copyright 2011
 TACO, Inc.