



# Submittal Data Information

101-177

## 007e™ ECM High-Efficiency Circulator

Effective: March 30, 2016

Supersedes: NEW

Job: \_\_\_\_\_ Engineer: \_\_\_\_\_ Contractor: \_\_\_\_\_ Rep: \_\_\_\_\_

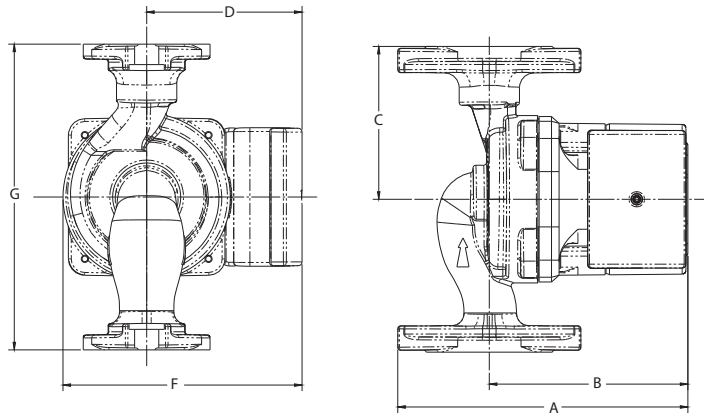
ITEM NO.	MODEL NO.

### Specifications

- Max. Shut-off Head: 10 feet
- Max. Flow: 16 gpm
- Max. Operating Pressure: 125 psi (8.6 bar)
- Max. Water Temp: 230°F (110°C)
- Min. Water Temp: 36°F (2°C)
- Electrical specifications:
  - Voltage: 120V, 60 Hz
  - Single phase
  - Max. Operating Power: 44W
  - Max. AMP Rating: 0.54
- Equipped with a cast iron casing and should be used for closed loop systems only
- Not suitable for chilled water or open loop potable water systems
- Taco circulator pumps are for indoor use only
- Acceptable for use with water or maximum of 50% water/glycol solution

### Applications

The 007e is a high-efficiency wet rotor circulator with an ECM permanent magnet motor. Its ECM performance is equivalent to the legendary 007 circulator and is ideal for hydronic systems zoned with circulators or zone valves. The 007e is not suitable for chilled water or open loop potable water systems.



### Pump Dimensions & Weights

Model	Flange Type	A		B		C		D		F		G		Ship Wt.	
		in.	mm	in.	mm	in.	mm	in.	mm	in.	mm	in.	mm	lbs.	Kg
007e-F2	S	6	152	4-1/8	104	3-3/16	80	3-1/4	82	5	126	6-3/8	161	5.8	2.6
007e-F4	U	6	152	4-1/8	104	3-3/16	80	3-1/4	82	5-1/8	130	6-3/8	161	6	2.7

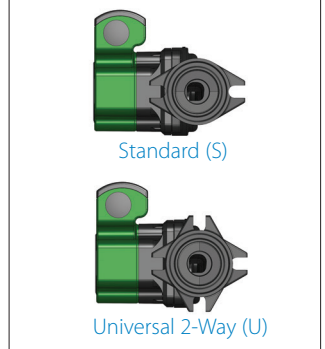
### Materials of Construction:

- Casing: .....Cast Iron
- Stator Housing:.....Composite
- Cartridge:.....Composite
- Impeller:.....Composite
- Shaft:.....Ceramic
- Bearings:.....Carbon
- Thrust Bearing:.....Ceramic
- O-Ring & Gaskets:.....EPDM

### Mounting Positions



### Flange Type



### Electrical Data

Model	Volts	Hz	Ph	Max.Amps	Max. Watts	RPM
Both Models	120	60	1	.54	44	4830
Motor Type	ECM, Permanent Magnet, Thermally Protected					

