

Job: _____ Engineer: _____ Contractor: _____ Rep: _____

ITEM NO.	MODEL NO.	

Hot-LinkPlus Includes:

- Hot-Link Valve
- Hot-LinkPlus Circulator
- (2) Flex Hoses
- (2) Half Unions with Tail Pieces

Materials of Construction —Circulator & Union

- Casting (Volute).....Stainless Steel
- Stator Housing.....Steel
- Cartridge.....Stainless Steel
- Impeller.....Noryl
- Shaft.....Ceramic
- Bearings.....Carbon
- O-Ring.....EPDM
- Half Unions.....Stainless Steel
- Tail Pieces.....Stainless Steel

Materials of Construction —Hot-Link Valve

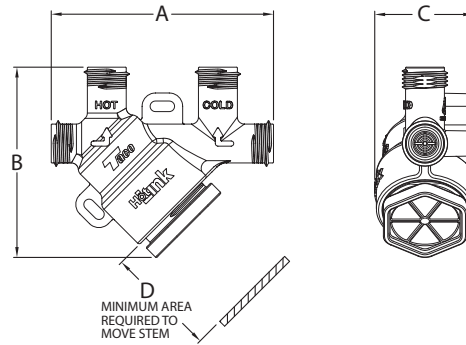
- Body.....Nylon
- Thermal Disk Actuator.....Bi-Metal
- O-Ring Seals.....EPDM
- Integral Flow Check (IFC®):
 - Body, Plunger.....Acetal
 - O-Rings.....EPDM
- Screen.....304 SS
- Stem.....Nylon
- Actuator Cartridge.....Stainless Steel
- Braided Flex Hoses.....Stainless Steel

Certifications & Listings



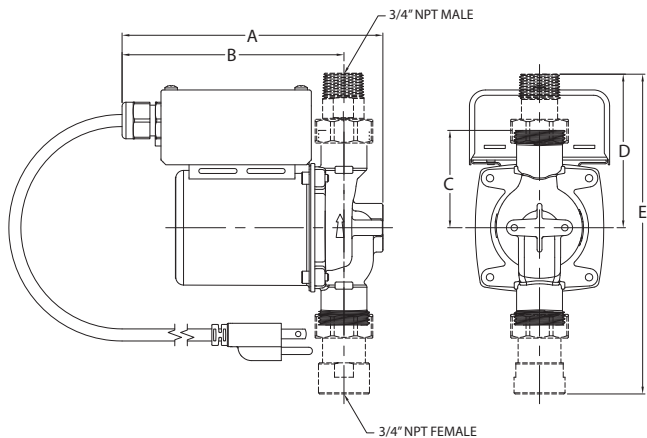
Dimensions & Weights: Hot-Link Valve

Connection	A		B		C		D		Ship Wt.	
	in.	mm	in.	mm	in.	mm	in.	mm	Lbs.	Kg
1/2" MNPT	4	102	4-7/16	87	1-3/4	41	2-1/2	64	0.37	0.17



Hot-LinkPlus Circulator (Model 006-IQST4-2)

A		B		C		D		E		F		Ship Wt.	
in.	mm	in.	mm	in.	mm	in.	mm	in.	mm	in.	mm	Lbs.	Kg
6-3/4	171	5-3/4	146	2-1/2	64	4	102	8-1/4	210	3-5/16	84	8.0	3.6



Electrical Data

Model	Volts	Hz	Ph	Amps	RPM	HP
Hot-LinkPlus Circulator	115	60	1	.52	3250	1/40
Motor Type	Permanent Split Capacitor Impedance Protected					

