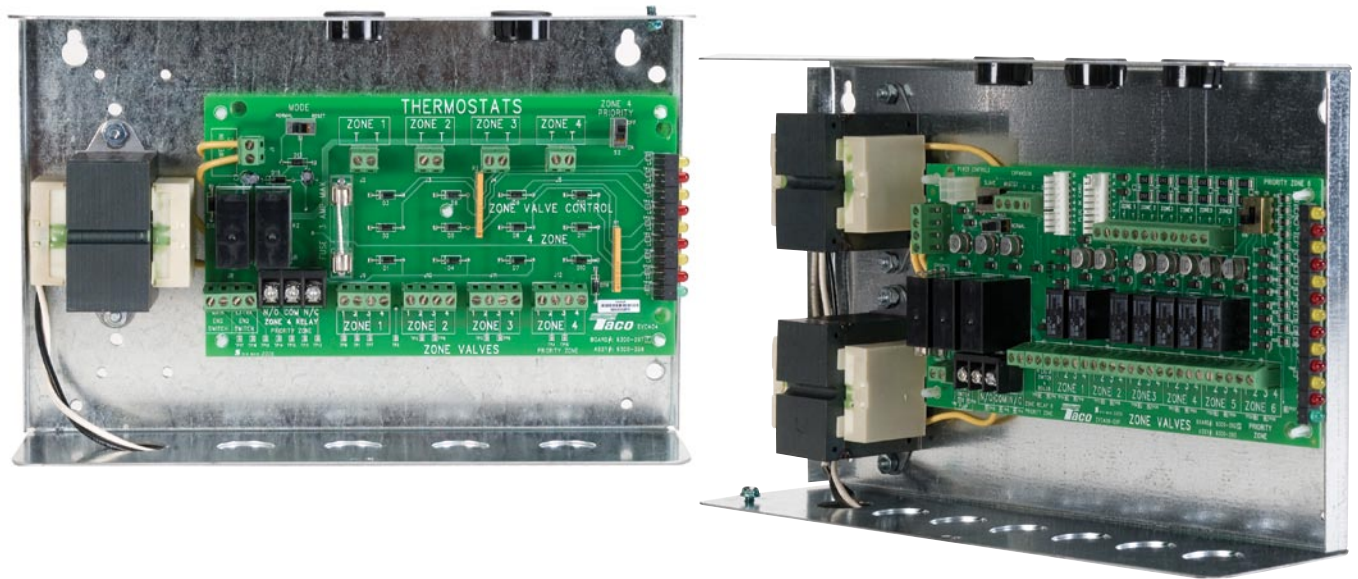


Zone Valve Control

Simplify the wiring nightmare! Taco Zone Valve Controls easy-to follow PC board layout eliminates the problems caused by incorrect wiring, while the external indicator lights provide instant diagnostic feedback. Combined with Taco Zone Valves and Thermostats, the system's performance and dependability is maximized.



HYDRONIC COMPONENTS & SYSTEMS

Do it once.
Do it right.® **Taco**®

Submission Data Information Zone Valve Control

Features

- External Indicator Lights
- Switchable Priority
- Simplified Wiring
- Works with 2, 3, or 4-Wire Zone Valves
- Compact Design
- Fuse Protected
- 100% Factory Tested
- Two Isolated End Switches
- Extra Set of Dry Contacts
- Contractor Friendly PC Board Layout
- Universal Thermostat Compatibility
- UL and CSA Approved
- Sturdy Screw Connections
- Extended 3 Year Warranty
- Made in the USA

Additional -EXP Features

- Two Plug-In PowerPort Card Slots
- One Add-On Power Control Plug
- Expandable to 20 Zones
- Interface with -EXP Switching Relays

The Taco Connection

Combine the reliability of the Taco Zone Valves, Priority Zoning Circulators, Thermostats, and the "00" family of circulators with the advanced features of the Taco Zone Controls to achieve total system integration. No matter the application, Taco now provides the products to maximize system performance while simplifying both installation and service.

External Diagnostics

It's no longer necessary to remove the box cover to troubleshoot the system. External visible indicator lights show full functionality of all products wired to the zone valve controls. When the thermostat calls for heat, both the appropriate zone valve and yellow indicator lights are energized. When the zone valve is fully opened, the end switch relay and red indicator light is then energized.

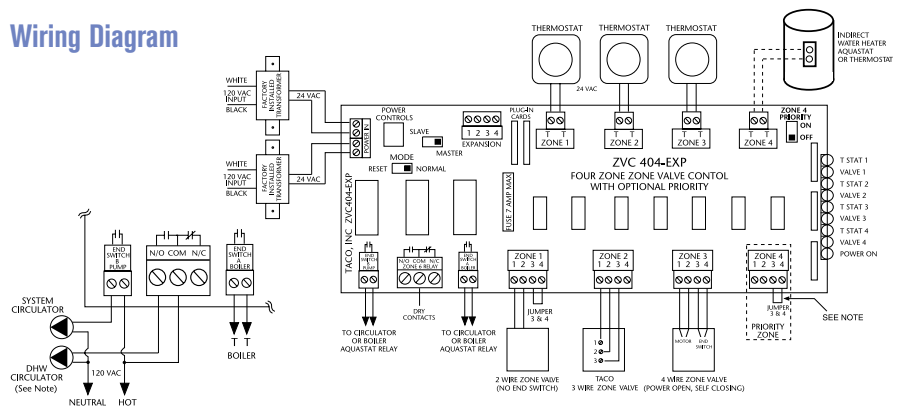
Zone Valve Controls

Taco Zone Valve Controls work with two-, three-, or four-wire zone valves. Fully fuse protected, they also include two isolated end switches and a built-in priority switch. The contractor friendly PC board layout eliminates the problems caused by incorrect wiring and the "unfinished" look of conventional zone valve installations. The sturdy screw connections add additional reliability, while the external indicator lights provide instant diagnostic feedback, reducing installation time. All Taco Zone Valve Controls are UL and CSA listed and carry an extended 3 year warranty.

Taco Expandable Zone Valve Controls

Whether you want to expand up to 20 zones or utilize the advanced features of the PowerPort Cards and Add-on Power Controls, Taco -EXP controls allow for simple integration of advanced features. Plug-in any combination of cards and controls to optimize the operation of any system.

Wiring Diagram



Zone Valve Controls

Product Number	Number of Zones	Transformer Rating	Transformer Voltage	Dimensions of Enclosure		
				Width	Height	Depth
ZVC403	3 Zone	40 VA	120 VAC Input	10 1/4"	6 3/4"	2 3/4"
ZVC404	4 with Priority	40 VA	120 VAC Input	10 1/4"	6 3/4"	2 3/4"
ZVC405	5 Zone	80 VA	120 VAC Input	11 3/4"	7 1/2"	3"
ZVC406	6 with Priority	80 VA	120 VAC Input	11 3/4"	7 1/2"	3"

Zone Valve Controls with PowerPort Option

Product Number	Number of Zones	PowerPort Slots	Power Control Plugs	Transformer Rating	Transformer Voltage	Dimensions of Enclosure		
						Width	Height	Depth
ZVC404-EXP	4 with Priority	2	1	80 VA	120 VAC Input	11 3/4"	7 1/2"	3"
ZVC406-EXP	6 with Priority	2	1	80 VA	120 VAC Input	11 3/4"	7 1/2"	3"

All Zone Valve Controls are relay type DPDT and have single phase motor rating per zone of 1/6 hp (5A) @ 120 VAC.

Plug-In PowerPort Cards*

PC600	Post Purge Timer Plug-In Card
PC605	Priority Protection Plug-In Card
PC610	Universal Timer / Pump Exercise Plug-In Card

Add-On Power Controls*

PC700	Boiler Reset Control
PC702	2-Stage Boiler Reset Control
PC705	Variable Speed Pump Injection Mixing Control

* For use with -EXP controls

HYDRONIC COMPONENTS & SYSTEMS

