



Taco LoadMatch®. Real world hydronic system technology for Green Building design.

Systems

LOADMATCH® Thermostats

Taco LoadMatch® thermostats offer exceptional temperature control of heat pump or fan coil LoadMatch systems. Taco LoadMatch thermostats are pre-programmed to suit LoadMatch applications with little or no additional configuration. All thermostats are available in BACnet, Echelon-Lontalk and non-communicating versions. Fan coil models can be ordered with relative humidity (RH) sensors to provide local dehumidification with reheat capability for the ultimate in comfort and efficiency. Peripheral items and auxiliary relays are eliminated by packaging most required peripheral controls into one easy install wall thermostat.



Submittal Data Information LoadMatch® Thermostats

Submittal Data # 101-126
Supersedes: 12/20/11

Effective: 12/11/15

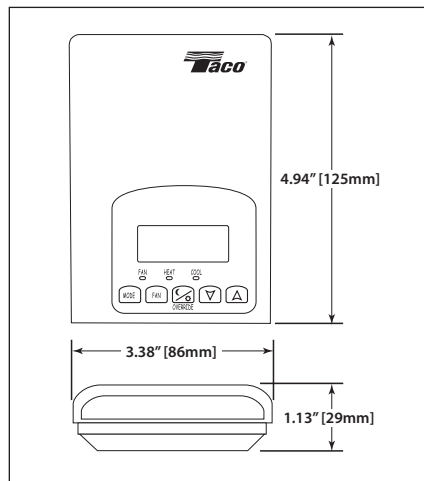
Features

LoadMatch® ready
All-in-one control
Pre-programmed
Familiar thermostat aesthetics & interface
Stand alone and network versions
Large backlit display with clear function buttons
Hinged design with removable terminal blocks for easy installation

Specifications

Power requirements:
19-30 VAC, 50/60 Hz
Resolution: +/- 0.2°F (+/- 0.1°C)
Control accuracy: +/- 0.9°F
(+/- 0.5°C) @21°C
Contact output rating:
30 VAC, 1A, 3A in-rush
Wire guage: 18AWG — 24AWG
Ship weight: 0.75 lb. (0.34 kg)

Dimensions



Agency Approvals/Standards



FCC Class
A Device



LoadMatch® Thermostats for Fan Coil Applications

MODEL	PROTOCOL	OUTPUT#1	OUTPUT#2	TARGET MARKET
VT7350C5021	Stand-Alone	On-Off / 3P-Floating	On-Off / 3P-Floating	Fan Coil Commercial
VT7355C5021				Fan Coil Hotel/Lodging
VT7350F5021		0-10Vdc	0-10Vdc	Fan Coil Commercial
VT7355F5021				Fan Coil Hotel/Lodging
VT7350C5021B	BACnet	On-Off / 3P-Floating	On-Off / 3P-Floating	Fan Coil Commercial
VT7355C5021B				Fan Coil Hotel/Lodging
VT7350F5021B		0-10Vdc	0-10Vdc	Fan Coil Commercial
VT7355F5021B				Fan Coil Hotel/Lodging
VT7350C5021E	ECHELON	On-Off / 3P-Floating	On-Off / 3P-Floating	Fan Coil Commercial
VT7355C5021E				Fan Coil Hotel/Lodging
VT7350F5021E		0-10Vdc	0-10Vdc	Fan Coil Commercial
VT7355F5021E				Fan Coil Hotel/Lodging

All thermostats for Fan Coil applications include Reheat Output, 3-2-1 Speed Fan Control and % RH Control features.

LoadMatch® Thermostats for Heat Pump Applications

MODEL	PROTOCOL	STAGES	SCHEDULING	HEAT PUMP THERMOSTAT DESCRIPTION
VT7600H5021	Stand-Alone	3H/2C	NO	Non-Programmable
VT7652H5021			YES	7 days Programmable
VT7652H5021B	BACnet		7 days Programmable BACnet	
VT7652H5021E	ECHELON		7 days Programmable LON	

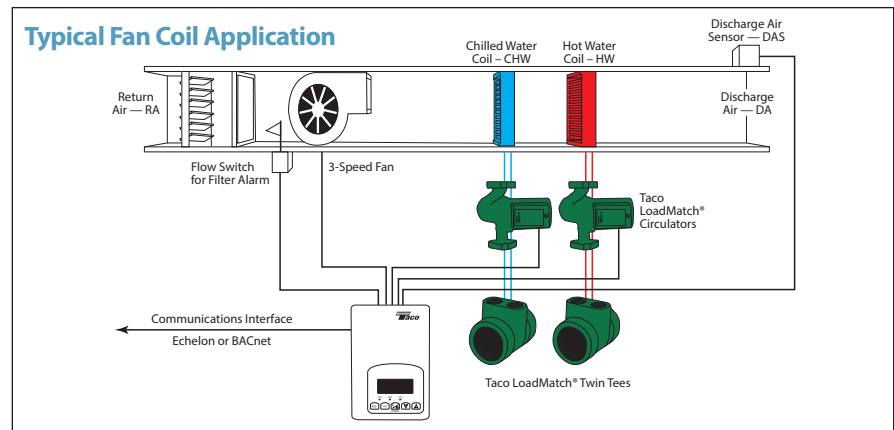
LoadMatch® Thermostats for Roof Top Units

MODEL	PROTOCOL	STAGES	SCHEDULING	THERMOSTAT DESCRIPTION
VT7600A5021	Stand-Alone	1H/1C	NO	Non-Programmable

Accessories

MODEL	DESCRIPTION
S1010E5021*	Strap-on changeover sensor 10K type 2
S3010W5021*	Average remote room sensor with 3 thermisters and 2 dip switches
S3020W5021*	Average remote room sensor with 3 thermisters, 2 dip switches, override key and occupancy LED
COV-PIR-FCU-C-5021	Passive infrared cover retrofit for 5021 with connector Commercial interface
COV-PIR-FCU-L-5021	Passive infrared cover retrofit for 5021 with connector Lodging interface

*Part Number Modified



A Taco Group Company

Taco Inc., 1160 Cranston Street. Cranston, RI 02920 / (401) 942-8000 / Fax (401) 942-2360
Taco (Canada) Ltd., 8450 Lawson Road, Unit #3, Milton, Ontario L9T 0J8 / (905) 564-9422 / Fax (905) 564-9436

www.TacoComfort.com