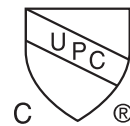


## 5123-WH-N Lead-Free Mixing Valve

This versatile NSF 61, ASSE 1017, ASSE1070 mixing valve provides the ultimate performance for domestic hot water applications. The 5123-WH is specifically designed to be mounted directly on the water heater for a fast and simple installation. The ASSE1017 certification allows for domestic hot water storage at temperatures high enough to increase the effective storage capacity of a water heater, kill harmful bacteria and still be delivered at a safe 120°F or less.



**NSF® ≤ .25% Lead**

Meets California AB 1953  
and Vermont Act 193



# Submittal Data Information 5123-WH Lead-Free Mixing Valve

NSF  $\leq .25\%$  Lead  
Meets California AB 1953  
and Vermont Act 193

Submittal Data # 101-163  
Supersedes: New

Effective: 08/27/13

## Features

- $\leq .25\%$  lead
- Dual Listed for ASSE 1017 and 1070
- UPC Certified
- Suitable for use in Potable Water
- Check Valves Included
- Port for recirculation return line
- No Routine Maintenance Required
- Lockable Max. Temperature Setting
- Outlet Temperature Strip

## Performance

Cv: 1.2  
Max. Flow: 12GPM (45.4 L/min)<sup>1</sup>  
*<sup>1</sup>Flow should never exceed standards for pipe size*  
Min. Flow: 1GPM (3.8 L/min)  
Hot Supply Temperature: 120-180°F (49-82°C)  
Cold Supply Temperature: 39-80°F (5-27°C)  
Max. Inlet Pressure: 230 psi (15.9 Bar)  
Max. Variation in Supply Pressure: 20%  
Min. Temperature Differential Between Hot Supply and Mixed: 27°F (15°C)  
Outlet Temperature Range: 85-120°F (29-49°C)  
Factory set to: 115-120°F (46-49°C)  
Accuracy of Outlet Temperature: ( $\pm$ ) 3° F

## Materials

Body: Forged Brass  
Internal Components:  $\leq .25\%$  lead Brass, Noryl GFN2  
Seals: Viton, EPDM  
Spring: Stainless Steel  
Piston: Polysulfone  
Gaskets: EPDM

## Approvals/Listings

ASSE 1017 , ASSE 1070  
cUPC  
CSA125.3

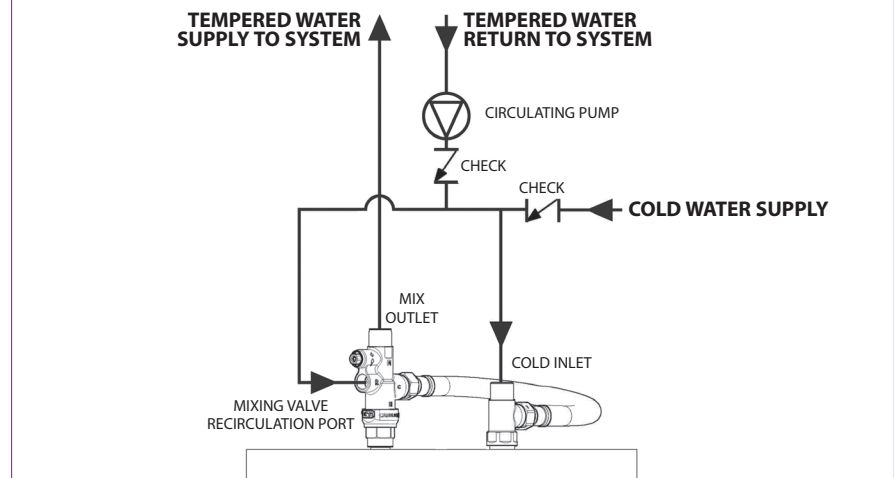


C

## Application:

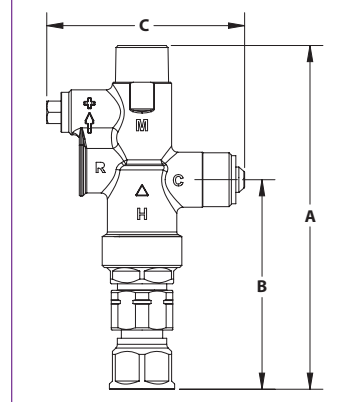
The 5123-WH is specifically designed to be mounted directly on the water heater for a fast and simple installation. Ease of installation is the goal of this mixing valve. To help to accomplish this a recirculation port is included right on the valve. This allows the return leg of the recirculation system to be connected directly to the mixing valve, eliminating a secondary connection point.

## Installation Diagram

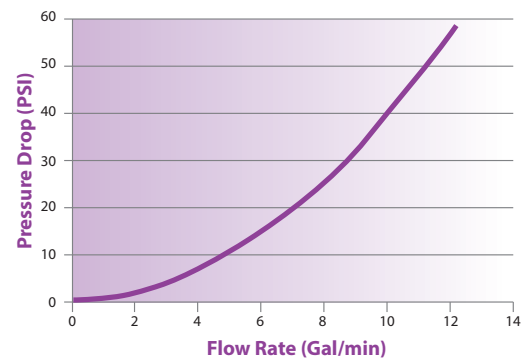


NOTE: This diagram is a guideline only. Any installation of a recirculated system should be undertaken by a qualified tradesman, and in accordance with the relevant codes and State, Provincial and Local Authority requirements. Performance of the system will be dependent on the other components specified within it.

## Dimensions



## Flow Curve



Taco Model	Description	A Height		B Lower Height		C Width	
		In.	mm	In.	mm	In.	mm
5123-WH-N	3/4" NPT X 3/4" NPT X 3/4" NPSH	6.6	167.6	4.0	101.6	3.5	88.9

Dimensions for reference only



Taco Inc., 1160 Cranston Street. Cranston, RI 02920 / (401) 942-8000 / Fax (401) 942-2360  
Taco (Canada) Ltd., 8450 Lawson Road, Unit #3, Milton, Ontario L9T 0J8 / (905) 564-9422 / Fax (905) 564-9436  
[www.taco-hvac.com](http://www.taco-hvac.com)