



Replacement Parts List

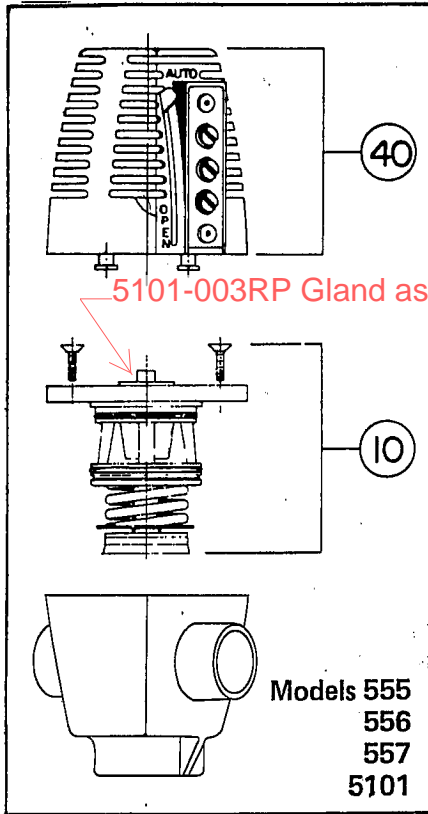
104-005

Zone Valves

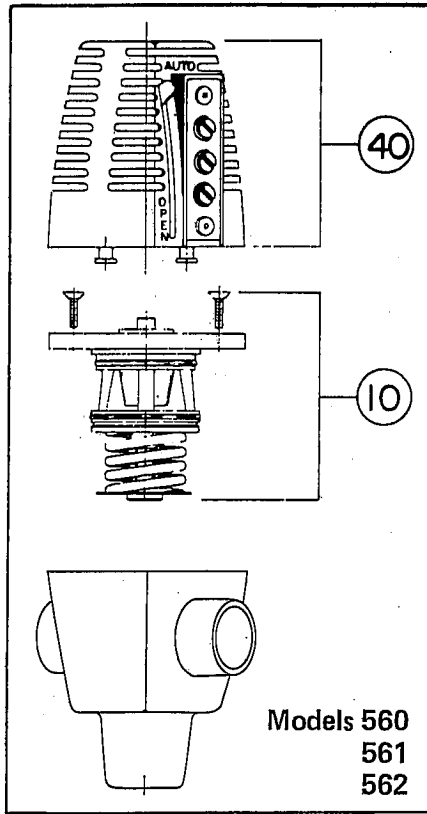
SUPERSEDES: 104-005 dated April 15, 1987

EFFECTIVE: February 1, 2000

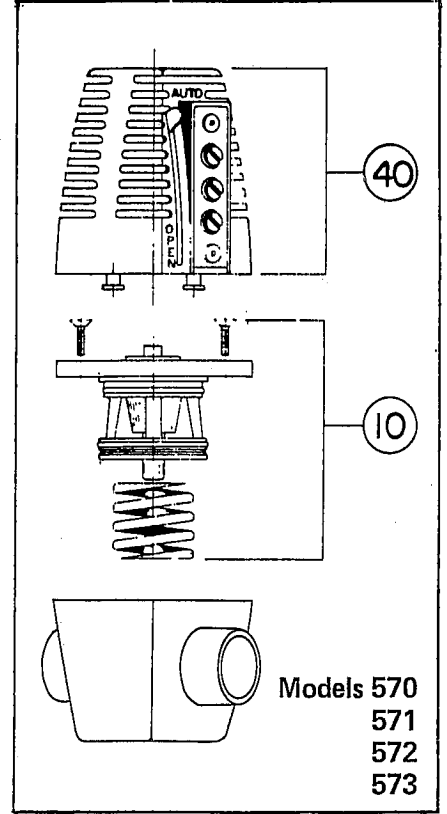
FOR LIST PRICES REFER TO SHEET RPPS100-1.



Models 555
556
557
5101

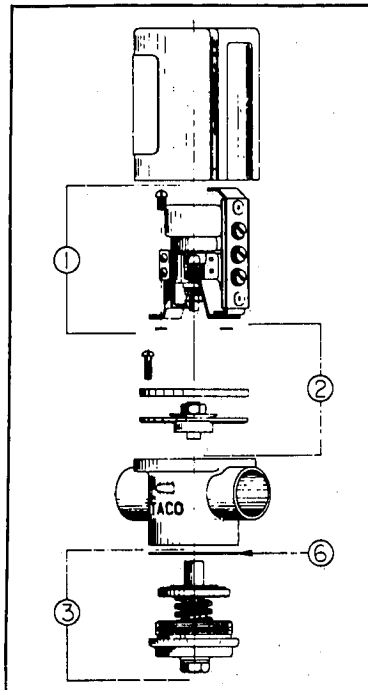


Models 560
561
562



Models 570
571
572
573

PRODUCT NUMBER	DESCRIPTION	ITEM #10 VALVE AND SEAT ASSEMBLY	ITEM #40 POWER UNIT
555-2	1/2"		
556-2	3/4" 2 WAY VALVE 125PSI	555-055RP	555-050RP
557-2	1"		
556-G2*	3/4"		
557-G2*	1" 2 WAY VALVE 125PSI	5101-002RP	555-173RP
5101-G2*	3/4"		
560-2	1/2"		
561-2	3/4" 3 WAY VALVE 125PSI		555-151RP
562-2	1"		
560-3 & M-3	1/2"		
561-3 & M-3	3/4" 3 WAY VALVE 125PSI	562-007RP	555-151RP
562-3 & M-3	1"		
560-4 & M-4	1/2"		
561-4 & M-4	3/4" 3 WAY VALVE 125PSI	562-007RP	555-154RP
562-4 & M-4	1"		
560-5	1/2"		
561-5	3/4" 3 WAY VALVE 125PSI	562-015RP	555-154RP
562-5	1"		
570-2	1/2"		
571-2	3/4"		
572-2	1" 2 WAY VALVE 125PSI	571-004RP	555-050RP
573-2	1 1/4"		



MODELS 551, 552, 553

PRODUCT NUMBER	DESCRIPTION	ITEM #1 POWER UNIT
551-1	¾" 2 WAY VALVE 30PSI	N/A
551-2		551-078RP
551-3		551-078RP
551-3A		551-078RP
551-3B		551-078RP
551-3D		551-078RP
551-4		N/A
552-1	1" 2 WAY VALVE 30PSI	N/A
552-2		551-078RP
552-3		551-078RP
552-3A		551-078RP
552-3B		551-078RP
552-3D		551-078RP
553-1	1¼" 2 WAY VALVE 30PSI	N/A
553-2		551-078RP
553-3		551-078RP
553-3A		551-078RP
553-3B		551-078RP
553-3D		551-078RP

NOTE: ITEMS 2, 3 AND 6 NOT AVAILABLE

Do it Once. Do it Right.

TACO, INC., 1160 Cranston Street, Cranston, RI 02920 Telephone: (401) 942-8000 FAX: (401) 942-2360.
 TACO (Canada), Ltd., 6180 Ordan Drive, Mississauga, Ontario L5T 2B3. Telephone: 905/564-9422. FAX: 905/564-9436.

Visit our web site at: <http://www.taco-hvac.com>

Printed in USA
 Copyright 2000
 TACO, Inc.