



Submittal Data Information "BTH" Buffer Tanks

401-085

SUPERSEDES: March 1, 2009

EFFECTIVE: July 1, 2009

Job: _____

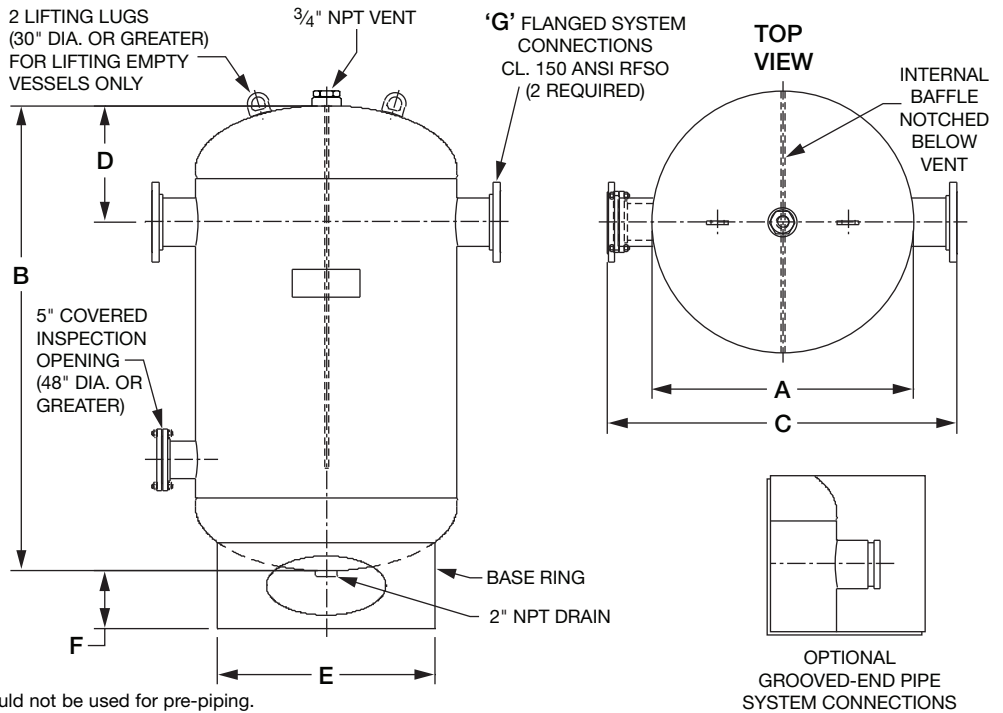
ITEM	LOCATION	MODEL	QUANTITY	GALLONS
------	----------	-------	----------	---------

SPECIFICATIONS

- Designed and constructed per ASME Code Section VIII, Division 1.
- Construction: Carbon Steel with exterior red oxide primer finish
- Maximum Design Pressure and Temperature: 125 psi @ 375°F
- Flanged inlet and outlet System Connections (standard sizes shown)
- Registered with the National Board of Pressure Vessel Manufacturers

OPTIONS (Consult Factory)

- Optional materials of construction
- Higher design pressures and temperatures
- Optional System Connection sizes available
- Grooved-end pipe System Connections
- Thermal insulation



SIZES & DIMENSIONS

All dimensions shown are subject to change and should not be used for pre-piping. Contact your local Taco representative should certified dimensional drawings be required.

MODEL NUMBER	TANK VOLUME	A	B	C	D	E	F	G	APPROX. WEIGHT
	GAL.	DIAMETER INCH	INCH	INCH	INCH	DIAMETER INCH	INCH	SIZE	
BTH0050F03-125N	50	20	43	26 ³ / ₄	11 ¹ / ₂	16	6 ³ / ₄	3"	180
BTH0075F03-125N	75	24	46	30 ³ / ₄	12 ⁵ / ₈	20	6 ³ / ₄	3"	230
BTH0100F03-125N	100	24	61	30 ³ / ₄	12 ⁵ / ₈	20	6 ³ / ₄	3"	270
BTH0125F03-125N	125	24	76	30 ³ / ₄	12 ⁵ / ₈	20	6 ³ / ₄	3"	320
BTH0150F03-125N	150	30	60	36 ³ / ₄	14 ¹ / ₄	24	8	3"	500
BTH0180F03-125N	180	30	71	36 ³ / ₄	14 ¹ / ₄	24	8	3"	580
BTH0200F03-125N	200	30	78	36 ³ / ₄	14 ¹ / ₄	24	8	3"	620
BTH0250F04-125N	250	36	69	45 ¹ / ₄	16 ¹ / ₄	30	7 ⁷ / ₈	4"	690
BTH0300F04-125N	300	36	82	45 ¹ / ₄	16 ¹ / ₄	30	7 ⁷ / ₈	4"	800
BTH0350F04-125N	350	36	94	45 ¹ / ₄	16 ¹ / ₄	30	7 ⁷ / ₈	4"	890
BTH0400F06-125N	400	48	65	57 ¹ / ₄	18 ⁷ / ₈	40	8 ⁵ / ₈	6"	980
BTH0450F06-125N	450	48	72	57 ¹ / ₄	18 ⁷ / ₈	40	8 ⁵ / ₈	6"	1050
BTH0500F06-125N	500	48	79	57 ¹ / ₄	18 ⁷ / ₈	40	8 ⁵ / ₈	6"	1130
BTH0700F06-125N	700	48	100	57 ¹ / ₄	18 ⁷ / ₈	40	8 ⁵ / ₈	6"	1270
BTH0850F06-125N	850	54	99	63 ¹ / ₄	22 ⁵ / ₈	44	9 ³ / ₈	6"	1850
BTH1050F08-125N	1050	60	99	69 ³ / ₄	24 ³ / ₄	50	9 ³ / ₄	8"	2100

COMMENTS: _____

Do it Once. Do it Right.®

TACO, INC., 1160 Cranston Street, Cranston, RI 02920 Telephone: (401) 942-8000 FAX: (401) 942-2360.
TACO (Canada), Ltd., 8450 Lawson Road, Unit #3, Milton, Ontario L9T 0J8. Telephone: 905/564-9422. FAX: 905/564-9436.

Visit our web site at: <http://www.taco-hvac.com>

Printed in USA
Copyright 2009
TACO, Inc.