



# Submittal Data Information

## KS Series Vertical Split Coupled Pumps (50 Hz)

301-908 I

EFFECTIVE: JANUARY 8, 2010

SUPERSEDES: NOVEMBER 1, 2009

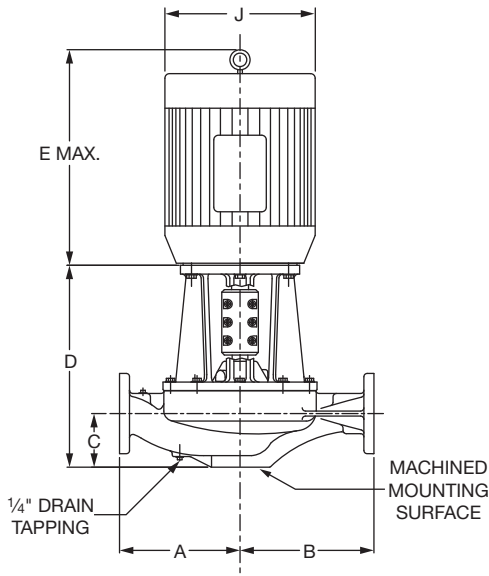
1450 RPM MODEL 6011

JOB \_\_\_\_\_ ENGINEER \_\_\_\_\_

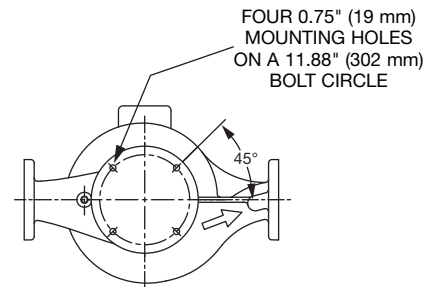
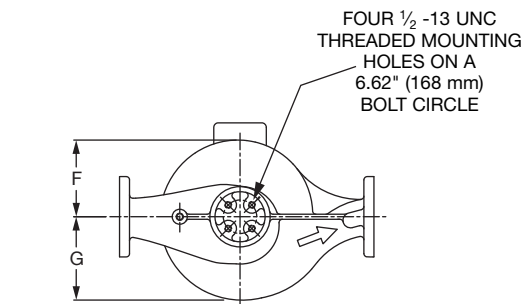
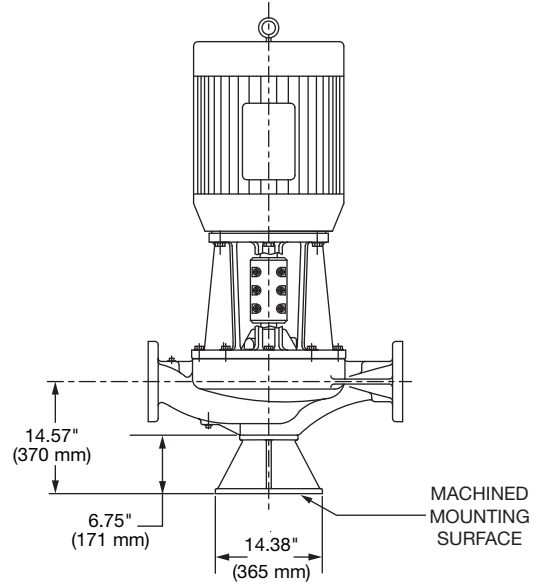
CONTRACTOR \_\_\_\_\_ REP. \_\_\_\_\_

ITEM NO.	MODEL NO.	IMPELLER DIA.	G.P.M.	HEAD/FT.	H.P.	ELEC. CHAR.

WEIGHT \_\_\_\_\_ PUMP/MOTOR \_\_\_\_\_



PUMP WITH OPTIONAL SUPPORT STAND



**DIMENSIONS**

\*A & B Dimensions apply for all pump sizes.

Model No.	Conn.	Motor Frame	HP 1450 RPM	Flange Size ASA	A*	B*	C	D	E MAX	F	G	H	J DIA
6011	6 x 6 (152 x 152)	213CZ	7.5	6 (152)	16.00 (406) if ANSI Class 125	17.50 (445) if ANSI Class 125	7.82 (199)	19.09 (485)	19.13 (486)	8.61 (219)	10.25 (260)	0.25 (6)	10.18 (259)
		215CZ	10					19.09 (485)	20.63 (524)				10.18 (259)
		254CZ	15					21.88 (556)	24.36 (619)				12.88 (327)
		256CZ	20		21.88 (556)	26.11 (663)		12.88 (327)					

English dimensions are in inches. Metric dimensions are in millimeters. Metric data is presented in ( ). Do not use for construction purposes unless certified.

**MATERIALS OF CONSTRUCTION**

Item	BRONZE FITTED		ALL IRON	
	Standard Pump Construction	Optional	Standard	Optional
Casing	Cast Iron ASTM A48 Class 30A	N/A	Cast Iron ASTM A48 Class 30A	N/A
Impeller	Bronze ASTM B584-836	CF	Cast Iron ASTM A48 Class 30A	CF
Wear Ring	None	Bronze ASTM B584-932 SAE660	None	N/A
Shaft	St. Steel AISI 416 ASTM A582	N/A	St. Steel AISI 416 ASTM A582	N/A
Coupling	Aluminum Alloy 6061-T6	N/A	Aluminum Alloy 6061-T6	N/A
Mechanical Seal	Ceramic / EPT	Tungsten Carbide / EPT	Ceramic / EPT	Tungsten Carbide / EPT
Seal Flush Line	Copper	CF	Stainless Steel	CF
Support Stand	N/A	Ductile Iron ASTM A536-84 Grade: 65-45-12	N/A	Ductile Iron ASTM A536-84 Grade: 65-45-12

CF - Consult Factory

N/A - Not Available

**OPERATING SPECIFICATIONS**

	Standard		Optional
Flange	ANSI Class 125	ANSI Class 250	
Pressure	175 PSIG* (1210 KPA)	300 PSIG** (2070 KPA)	CF
Temperature	250°F (120°C)	250°F (120°C)	CF

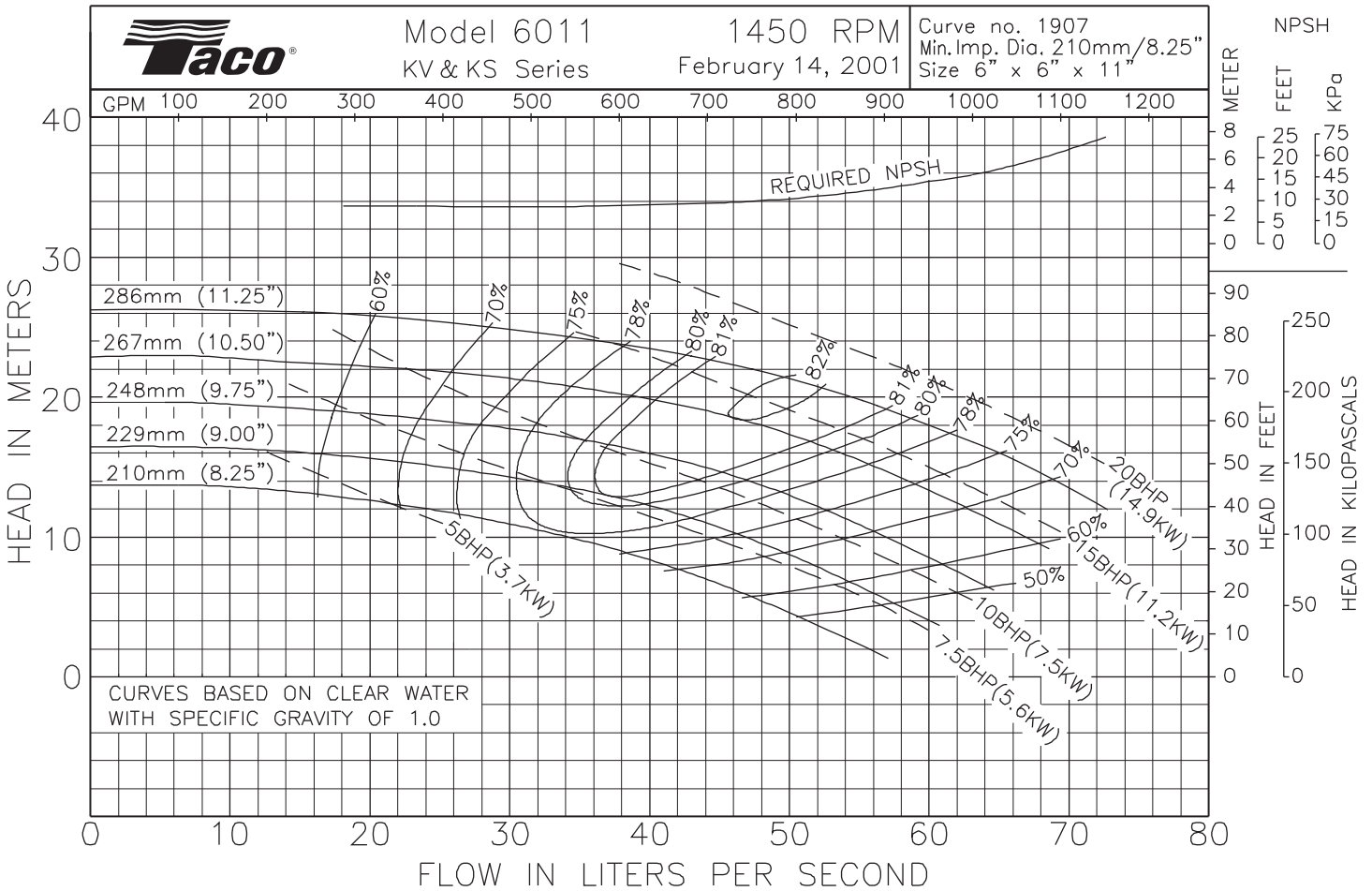
Motors: All NEMA Standard ODP Frame (CZ Shaft)

\* In accordance with ANSI Standard B16.1 Class 125

\*\* In accordance with ANSI Standard B16.1 Class 250 Dim.

**MAXIMUM ASSEMBLY WEIGHT**

Motor Frame	Weight without Optional Stand Lbs (Kg)	Weight with Optional Stand Lbs (Kg)
213CZ - 215CZ	650 (295)	716 (325)
254CZ - 256CZ	757 (343)	823 (373)



Comments:

**Do it Once. Do it Right.®**

TACO, INC., 1160 Cranston Street, Cranston, RI 02920 Telephone: (401) 942-8000 FAX: (401) 942-2360.  
TACO (Canada), Ltd., 8450 Lawson Road, Unit #3, Milton, Ontario L9T 0J8. Telephone: 905/564-9422. FAX: 905/564-9436.

Visit our web site at: <http://www.taco-hvac.com>

Printed in USA

Copyright 2010

TACO, Inc.